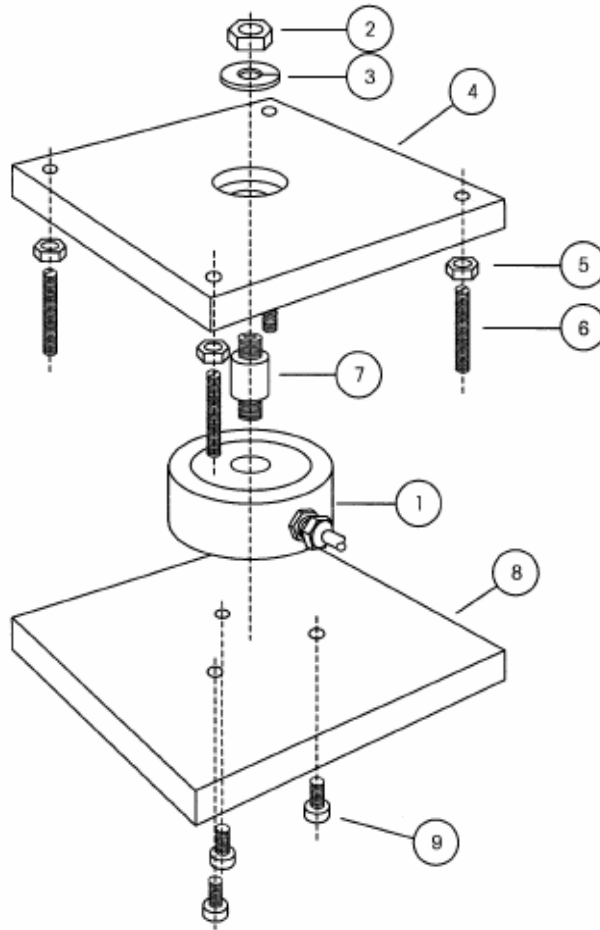


# 0970C Cylinder Scale



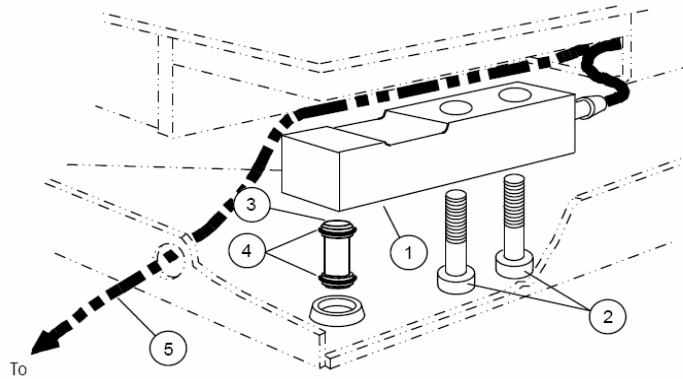
**Part Information**

**0970C**

Ref.	Part Number	Description	Qty.
1	TB600935-050	Load cell, Can, 250kg, RLC, OIML C3, Ex, FM	1
2	MZ0901020116	Nut, Hex, M10, SS	1
3	MZ0901030117	Washer, Lock, SS, M10	1
4	TA601022-SS	Plate, Loading, 304SS	1
5	MZ0901020115	Nut, Hex, M6, SS	4
6	MZ0901010548	Screw, Set, M6 x 1 x 35mm, SS	4
7	TN601023	Bolt, mounting, M10 x 1.5, SS	1
8	TA601021-SS	Plate, Mounting, 304SS	1
9	MZ0901010543	Screw, Load Cell Retaining, M6x1", SS	3

## Floor Scales

# 2158 Vertex<sup>®</sup>



### Part Information

#### 2158 Vertex<sup>®</sup> - Load Cell and Rocker Pin Assembly

Ref.	Part Number	Description	Qty.
1	TB600488	Load cell, SE, 744, 250lb, 7.5' cable	4
1	TB600488-1	Load cell, SE, 744, 250lb, 15' cable	4
1	61008025	Load cell, SE, 745, 500lb (NTEP)/220kg (OIML), 7.5' cable	4
1	64052904	Load cell, SE, 745, 500lb, 15' cable	4
1	64052908	Load cell, SE, 745, 1.25K, 7.5' cable	4
1	64052909	Load cell, SE, 745, 1.25K, 15' cable	4
1	64052915	Load cell, SE, 745, 2.5K, 7.5' cable	4
1	64052916	Load cell, SE, 745, 2.5K, 15' cable	4
1	64052922	Load cell, SE, 745, 5K, 7.5' cable	4
1	64052924	Load cell, SE, 745, 5K, 15' cable	4
1	64052930	Load cell, SE, 745, 10K, 15' cable	4
2	TN800647	Bolt, 1/2-13 x 1.75" long, CS	8
2	TN800646	Screw, Socket Head Cap, 1/2-13 x 1.75", SS	8
2	TN800650	Bolt, 1/2-13 bolt x 2" long, CS	8
2	TN800649	Bolt, 1/2-13 x 2", SS	8
2	TN800654	Bolt, 3/4-10 x 2.5", CS	8
2	TN800655	Bolt, 3/4-10 x 2.5", SS	8
3	TN200050	Pin, Rocker, 250lb to 2.5k L/cell or 1-5K scale cap, SS (.595 x 1.25")	4
3	MN21018	Rocker Pin, 5k L/cell or 10k scale cap (.595 x 1.5"), SS	4
3	TN201975	Pin, Rocker, 10k L/cell or 20K scale cap, SS (.875 x 1.75")	4
4	MZ0909000005	O-ring, Rocker Pin, 250lb to 5k	8
4	MZ0909000012	O-ring, Rocker Pin, 10k	8
5	510624370xxx	Cable, 24-gauge, 5-cond., shielded, Bulk (xxx=feet)	
	51062437050	Cable, 24-gauge, 6-cond., shielded, 50'	
	510624370100	Cable, 24-gauge, 6-cond., shielded, 100'	
	510624370250	Cable, 24-gauge, 6-cond., shielded, 250'	
	MZ0901010413	Anchor, In-floor, 1/2"	
	082463020	Eye bolt that ships with scale	
	58-021000	Hole Plug, SS	
	58-030025	Shim kit, (25 shims, for corner)	
	TN202003	Shim, for corner	
	TN202420	Plate, Spacer, 5/8" (UHMW poly)	
	TC305606-1	Cover, Access, 5/16", CS, Tread	
	TC305606-2	Cover, Access, 5/16" CS, Smooth	
	TC305606-3	Cover, Access, 1/4", CS, Tread	
	TC305606-4	Cover, Access, 1/4", CS, tread	
	TC307052-1	Cover, Access, 3/8", SS, tread	
	TC307052-3	Cover, Access, 1/4", SS, smooth	

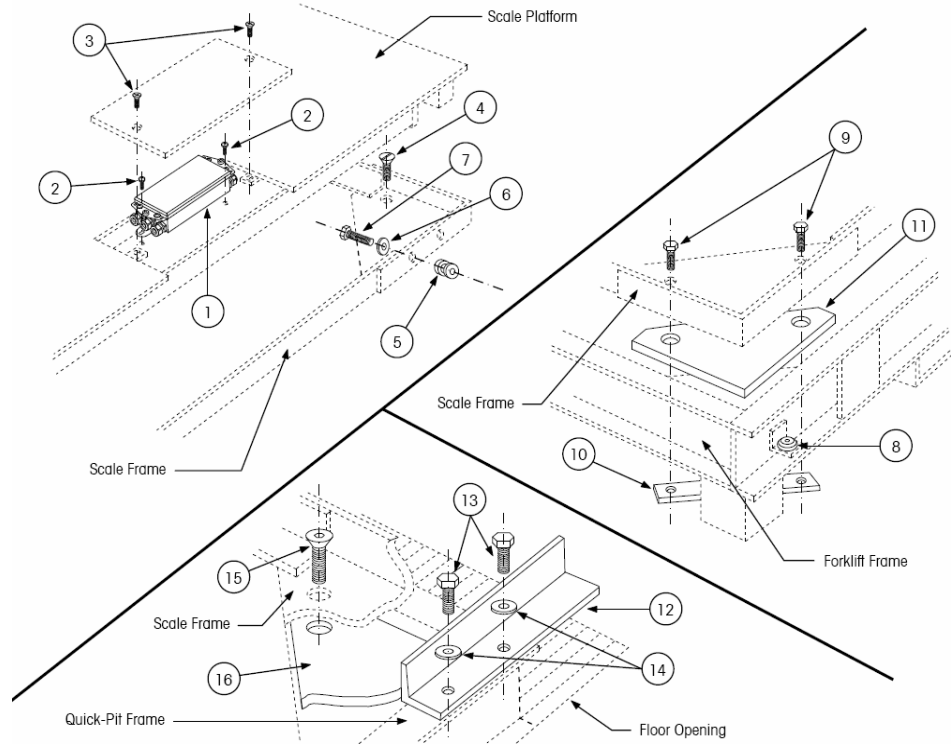
## 2158 Vertex® - Frames

## Part Information

## 2158 Vertex® - Frames - 4 x 4

Part Number	Description
58F107680768	Frame, 2158, 5K cap, 4x4, CS
58F207680768	Frame, 2158, 10K cap, 4x4, CS
58F307680768	Frame, 2158, 20K cap, 4x4, CS
58F407680768	Frame, 2158, 5K cap, 4x4, SS
58F507680768	Frame, 2158, 10k cap, 4x4, SS
58F607680768	Frame, 2158, 20k cap, 4x4, SS
<b>4 x 5</b>	
58F107680960	Frame, 2158, 5k cap, 4x5, CS
58F207680960	Frame, 2158, 10k cap, 4x5, CS
58F307680960	Frame, 2158, 20k cap, 4x5, CS
58F407680960	Frame, 2158, 5k cap, 4x5, SS
58F507680960	Frame, 2158, 10k cap, 4x5, SS
58F607680960	Frame, 2158, 20k cap, 4x5, SS
<b>4 x 6</b>	
58F107681152	Frame, 2158, 5k cap, 4x6, CS
58F207681152	Frame, 2158, 10k cap, 4x6, CS
58F307681152	Frame, 2158, 20k cap, 4x6, CS
58F407681152	Frame, 2158, 5k cap, 4x6, SS
58F507681152	Frame, 2158, 10k cap, 4x6, SS
58F607681152	Frame, 2158, 20k cap, 4x6, SS
<b>5 x 5</b>	
58F109600960	Frame, 2158, 5k cap, 5x5, CS
58F209600960	Frame, 2158, 10k cap, 5x5, CS
58F309600960	Frame, 2158, 20k cap, 5x5, CS
58F409600960	Frame, 2158, 5k cap, 5x5, SS
58F509600960	Frame, 2158, 10k cap, 5x5, SS
58F609600960	Frame, 2158, 20k cap, 5x5, SS
<b>5 x 7</b>	
58F109601344	Frame, 2158, 5k cap, 5x7, CS
58F209601344	Frame, 2158, 10k cap, 5x7, CS
58F309601344	Frame, 2158, 20k cap, 5x7, CS
58F409601344	Frame, 2158, 5k cap, 5x7, SS
58F509601344	Frame, 2158, 10k cap, 5x7, SS
58F609601344	Frame, 2158, 20k cap, 5x7, SS
<b>5 x 8</b>	
58F109601536	Frame, 2158, 5k cap, 5x8, CS
58F209601536	Frame, 2158, 10k cap, 5x8, CS
<b>6 x 5</b>	
58F109601152	Frame, 2158, 5k cap, 6x5, CS
58F209601152	Frame, 2158, 10k cap, 6x5, CS
<b>6 x 6</b>	
58F111521152	Frame, 2158, 5k cap, 6x6, CS
58F211521152	Frame, 2158, 10k cap, 6x6, CS
58F311521152	Frame, 2158, 20k cap, 6x6, CS
58F411521152	Frame, 2158, 5k cap, 6x6, SS
58F511521152	Frame, 2158, 10k cap, 6x6, SS
58F611521152	Frame, 2158, 20k cap, 6x6, SS
<b>6 x 7</b>	
58F311521344	Frame, 2158, 20k cap, 6x7, CS
<b>6 x 8</b>	
58F211521344	Frame, 2158, 10k cap, 6x8, CS
58F311521536	Frame, 2158, 20k cap, 6x8, CS

# 2158 Vertex® - J-box / Options

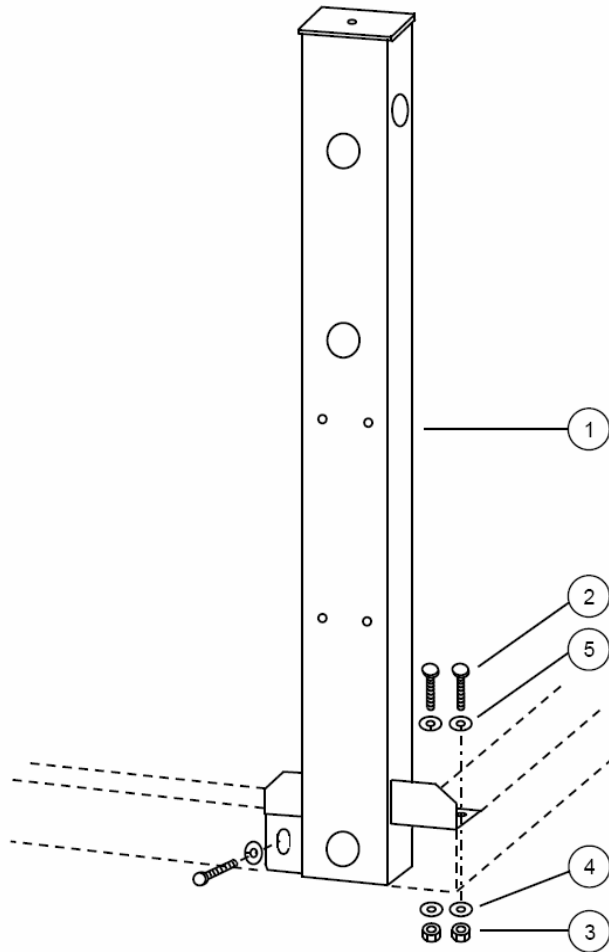


**Part Information**

**2158 Vertex® - Junction Box and Option Hardware**

Ref.	Part Number	Description	Qty.
1	TA100831-SS	J-Box, Assembly, Analog, 6-hole	1
1	TB100515-5	J-Box, DigiTOL, assembly (model 2160)	1
1	TB100569-4	J-Box, IDNet, Assembly	1
2	MZ0901010379	Screw, Phillips Head, 1/4-20 x 1/4"	2
3	MZ0901010035	Screw, Flat head, 3/8-16 x 3/4"	2
4	MZ0901010298	Screw, Flat head, 1/2-13 x 1.5"	8
4	MZ0901010451	Screw, Flat Head, 1/2-13 x 1.5", SS	8
5	TA201611	Lug, Ramp (per ramp)	2
6	MZ0901030076	Washer, Lock (per ramp) 3/8"	2
7	MZ0901010124	Bolt, Hex head, 3/8-16 x 1"	2
8	TN206847	Bubble level	1
9	MZ0901010298	Screw, Flat head, 1/2-13 x 1.5"	8
9	MZ0901010451	Screw, Flat Head, 1/2-13 x 1.5", SS	8
10	TN202231	Strap, Hold-Down, SS	4
11	TN201705	Plate, Spacer, 5/8" (UHMW poly)	4
12	TN202623	Angle, Shipping	4
13	MZ0901010033	Screw, Hex head, 3/8-16 x 3/4"	8
14	MZ0901030011	Washer, ZN	8
15	MZ0901010298	Screw, Flat head, 1/2-13 x 1.5"	8
15	MZ0901010451	Screw, Flat Head, 1/2-13 x 1.5", SS	8
15	MZ0901010249	Screw, Flat head, hex socket, 1/2 - 13 x 2.25"	8
16	TN201705	Plate, Spacer, 5/8" (UHMW poly)	4
	504235	IDNet Cable, 5m long	
	ME200308	Nut, Lock, IDNet	
	ME209911	Cable, IDNet J-Box	

# 2158 Vertex® - Indicator Column

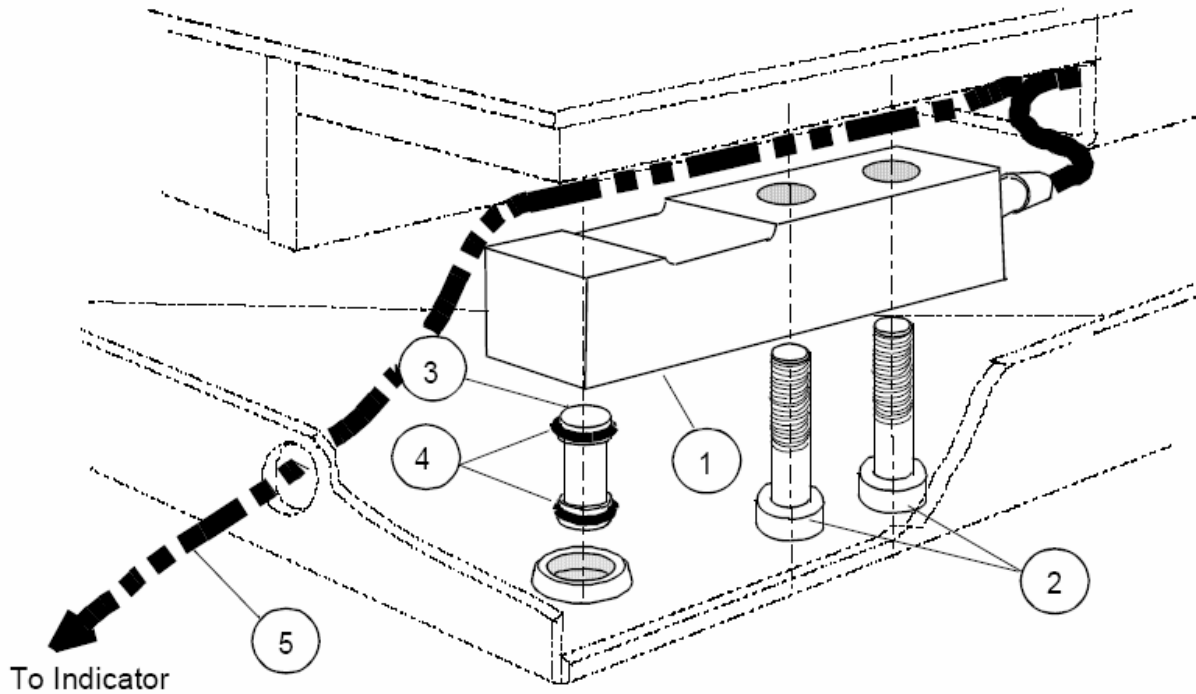


**Part Information**

**2158 Vertex® - Indicator Column**

Ref.	Part Number	Description	Qty.
1	TB203682	Column, Indicator	1
2	MZ0901010076	Screw, Hex Head Cap, 3/8-16 x 1.25, SS	3
3	MZ0901020016	Nut, Hex, 3/8-16, SS	3
4	MZ0901030060	Washer, SS, 3/8"	3
5	MZ0901030076	Washer, Lock (per ramp) 3/8"	3

# 2158 EZ-CLEAN™

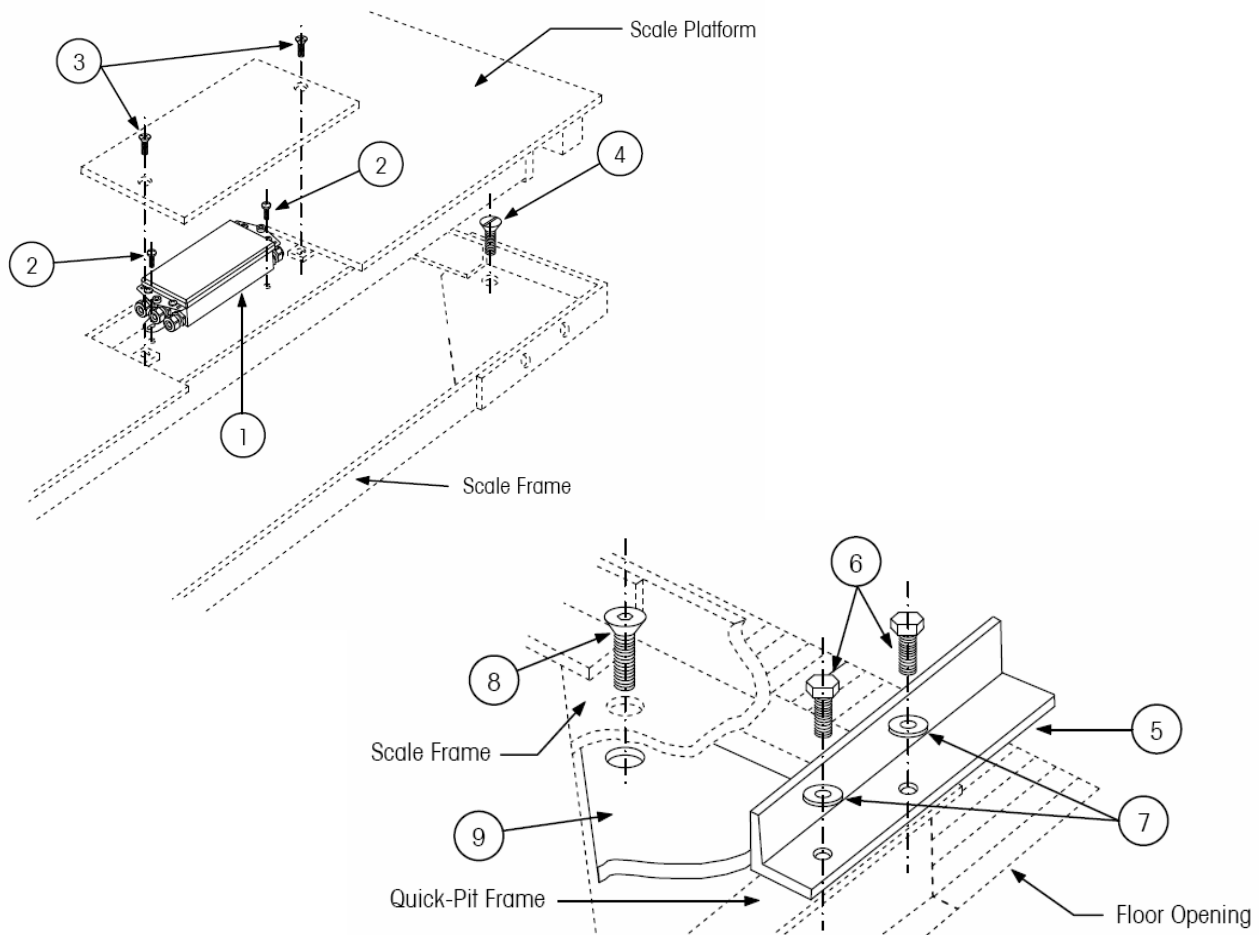


**Part Information**

**2158 EZ-CLEAN™ - Load Cell and Rocker Pin Assembly**

Ref.	Part Number	Description	Qty.
1	TB600488	Load cell, SE, 744, 250lb, 7.5' cable	4
1	TB600488-1	Load cell, SE, 744, 250lb, 15' cable	4
1	61008025	Load cell, SE, 745, 500lb (NTEP)/220kg (OIML), 7.5' cable	4
1	64052904	Load cell, SE, 745, 500lb, 15' cable	4
1	64052908	Load cell, SE, 745, 1.25K, 7.5' cable	4
1	64052909	Load cell, SE, 745, 1.25K, 15' cable	4
1	64052915	Load cell, SE, 745, 2.5K, 7.5' cable	4
1	64052916	Load cell, SE, 745, 2.5K, 15' cable	4
1	64052922	Load cell, SE, 745, 5K, 7.5' cable	4
1	64052924	Load cell, SE, 745, 5K, 15' cable	4
1	64052930	Load cell, SE, 745, 10K, 15' cable	4
2	TN800647	Bolt, 1/2-13 x 1.75" long, CS	8
2	TN800646	Screw, Socket Head Cap, 1/2-13 x 1.75", SS	8
2	TN800650	Bolt, 1/2-13 bolt x 2" long, CS	8
2	TN800649	Bolt, 1/2-13 x 2", SS	8
2	TN800654	Bolt, 3/4-10 x 2.5", CS	8
2	TN800655	Bolt, 3/4-10 x 2.5", SS	8
3	TN200050	Pin, Rocker, 250lb to 2.5k L/cell or 1-5K scale cap, SS (.595 x 1.25")	4
3	MN21018	Rocker Pin, 5k L/cell or 10k scale cap (.595 x 1.5"), SS	4
3	TN201975	Pin, Rocker, 10k L/cell or 20K scale cap, SS (.875 x 1.75")	4
4	MZ0909000005	O-ring, Rocker Pin, 250lb to 5k	8
4	MZ0909000012	O-ring, Rocker Pin, 10k	8
5	510624370xxx	Cable, 24-gauge, 5-cond., shielded, Bulk (xxx=feet)	varies
	51062437050	Cable, 24-gauge, 6-cond., shielded, 50'	
	510624370100	Cable, 24-gauge, 6-cond., shielded, 100'	
	510624370250	Cable, 24-gauge, 6-cond., shielded, 250'	

# 2158 EZ-CLEAN™



**Part Information**

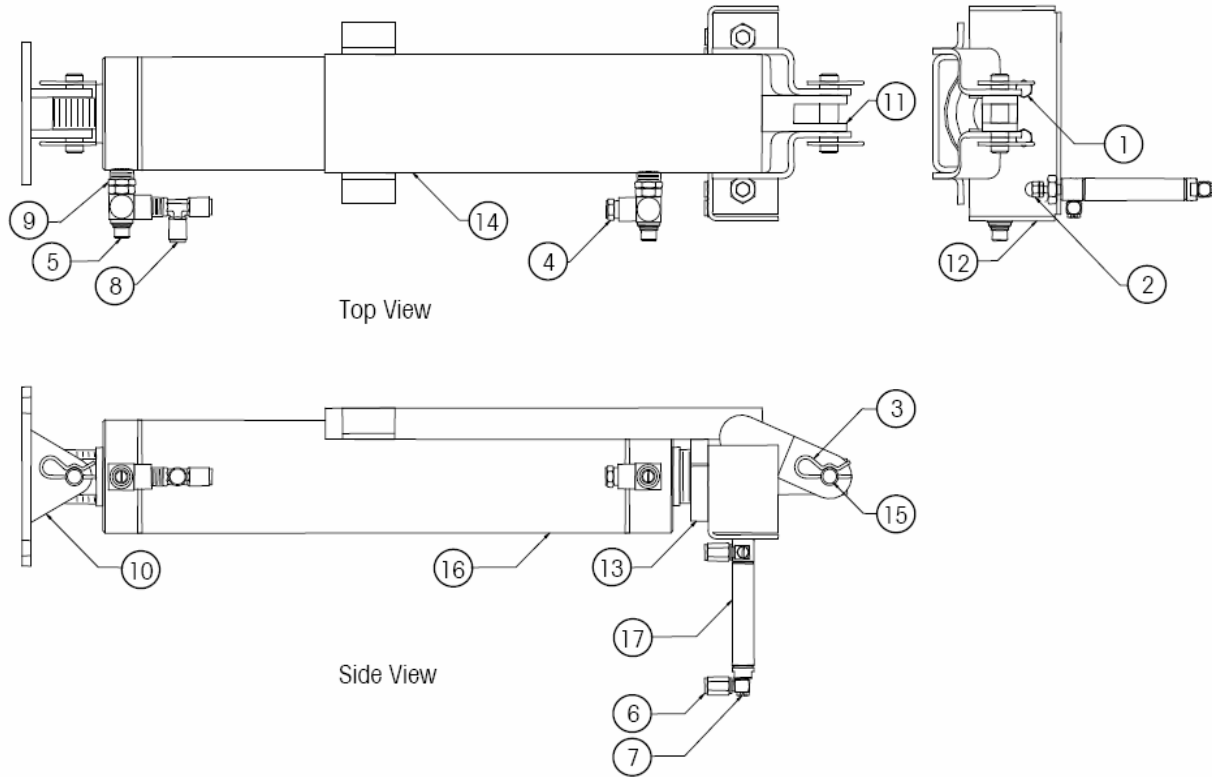
**2158 EZ-CLEAN™ - Junction Box**

Ref.	Part Number	Description	Qty.
1	TA100831-SS	J-Box, Assembly, Analog, 6-hole	1
1	TB100515-5	J-Box, DigiTOL, assembly (model 2160)	1
1	TB100569-4	J-Box, IDNet, Assembly	1
1	TA100831-SSA	J-Box, Assembly, Analog, 6-hole (ATEX)	1
2	MZ0901010379	Screw, Phillips Head, 1/4-20 x 1/4"	4
3	MZ0901010035	Screw, Flat head, 3/8-16 x 3/4"	2
4	MZ0901010298	Screw, Flat head, 1/2-13 x 1.5"	8
	504235	IDNet Cable, 5m long	
	200308	Nut, Counter, PG11	
	ME209911	Cable, IDNet J-Box	

**2158 EZ-CLEAN - Quick Pit Frame Hardware**

5	TN202623	Angle, Shipping	4
6	MZ0901010033	Screw, Hex head, 3/8-16 x 3/4"	8
7	MZ0901030011	Washer, ZN	8
8	MZ0901010449	Screw, Flat Head Hex Socket, 1/2-13 x 3/4"	8
9	TN202420	Plate, Spacer, 5/8" (UHMW poly)	4

# 2158 EZ-CLEAN™



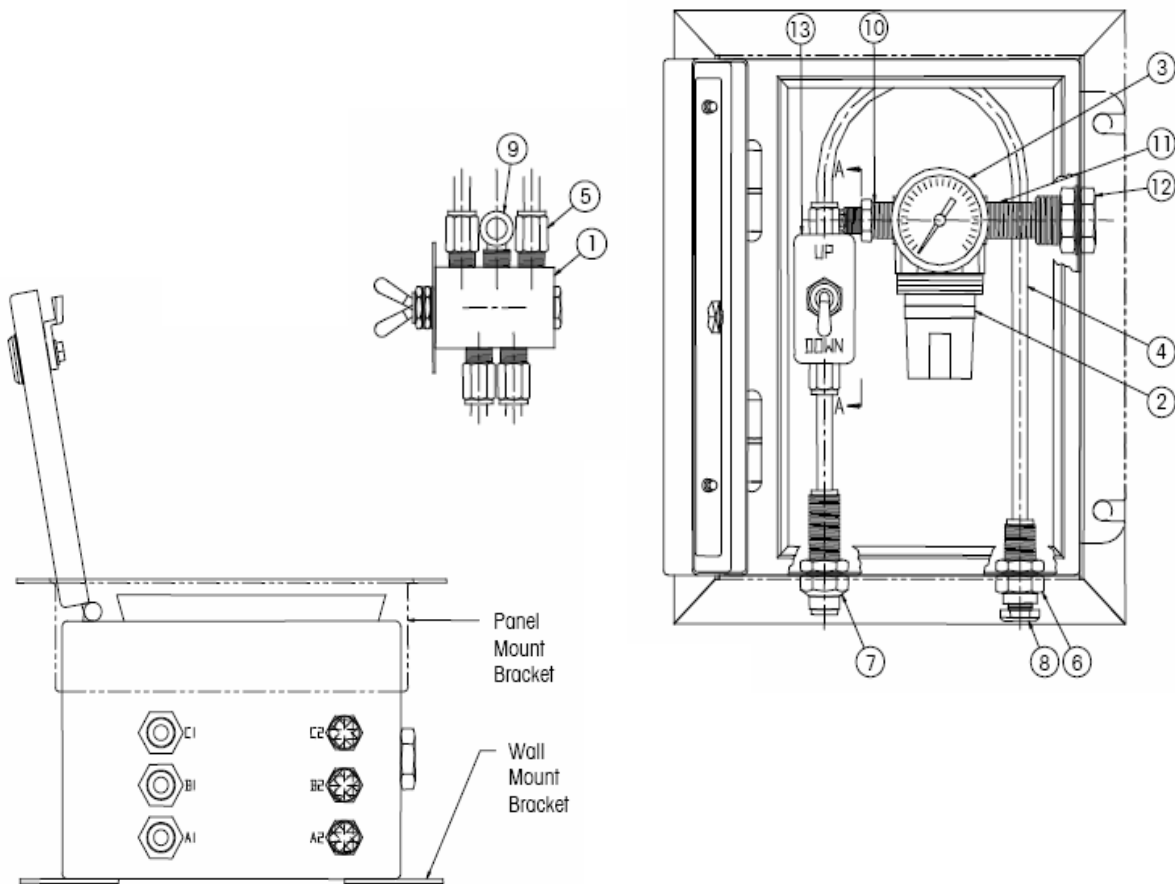
**Part Information**

**2158 EZ-CLEAN™ - Cylinder Assemblies**

Ref.	Part Number	Description	Qty.
1	MZ0901010127	Screw, Hex head cap, 1/4-20 x 1/2", SS	2
2	MZ0901020088	Nut, Hex Acorn, 10-32, SS	1
3	MZ0904000065	Cotter Pin, #3, .091" diameter, SS	4
4	MZ1405000167	Fitting, Straight, 1/4" Tube, 1/4" NPT Male, Nickel Plate	1
5	MZ1003000020	Valve, Flow Control, 1/4 NPT, Recessed	2
6	MZ1405000154	Fitting, 1/4 Tube, 10-32 Male, Nickel Plate	2
7	MZ1405000156	Fitting, Adjustable "L", 10-32, Nickel Plate	2
8	MZ1405000157	Male Run Tee, 1/4 to 1/4 NPT, Nickel Plate	1
9	MZ1405000158	Reducer, 3/8" Male, 1/4" NPT Female, SS	2
10	TA202380	Pivoting cylinder mounting bracket, SS	1
11	TA202382	Cylinder rod clevis, SS	1
12	TA202388	Air Cylinder Mounting Bracket, SS	1
13	TA202389	Collar clamp, AISI 308, SS	1
14	TB202280	Channel, Support 3', SS, (for 3' wide platforms)	1
14	TB202386	Channel, Support 4', SS, (for 4' wide platforms)	1
14	TB202387	Channel, Support 5', SS, (for 5' wide platforms)	1
14	TB305160	Channel, Support, 6', SS, (for 6' wide platforms)	1
15	TN202381	Pin, Pivot, 1/2 x 2-3/16", SS	2
16	TN202398	Air Cylinder, 3" bore x 12" stroke, 18.5" (3' platforms)	1
16	TN202397	Air Cylinder, 3" bore x 16" stroke, 12.5" (4' platforms)	1
16	TN202305	Air Cylinder, 3" bore x 20" stroke, 26.5" (5' platforms)	1
16	TN305161	Air Cylinder, 3" bore x 24" Stroke, 31.12" long (6' wide platforms)	1
17	TN202663	Air Cylinder, 9/16 inch Bore x 2 inch Stroke (Safety Cylinder)	1
	MZ0901010562	Screw, Head Cap, 1/4-28 x 5/8, SS	1
	MZ0901010030	Screw, Hex head cap, 3/8-16 x 3/4", SS	4
	MZ0901030076	Washer, Lock (per ramp) 3/8"	4



# 2158 EZ-CLEAN™



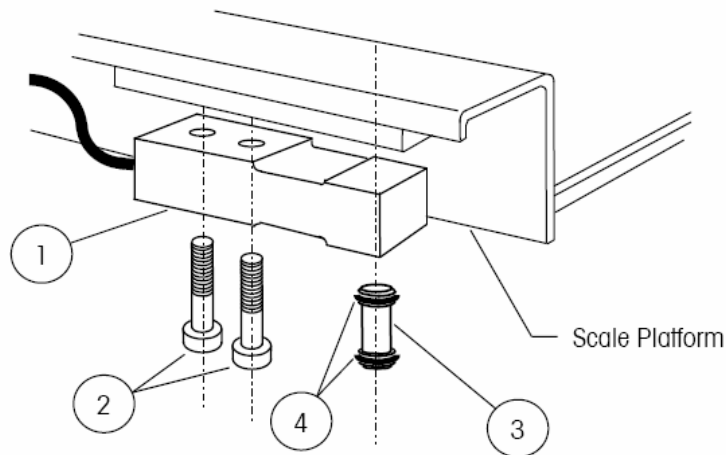
### Part Information

#### 2158 EZ-CLEAN™ - Pneumatic Control Box

Ref.	Part Number	Description	Qty.
1	MZ1003000017	Valve, 4-way, 2-position, Toggle Switch, 5-18" ports	1
2	MZ1003000018	Regulator, Pressure, 0-125psi, 1/4 NPT	1
3	MZ1003000019	Gauge, Pressure, 0-160psi, 1/8 NPT. 1.5" diameter	1
4	MZ1206000008	Tubing, Nylo-Flux 1/4" x 104'	1
5	MZ1405000141	Fitting, Straight, 1/4" Tube, 1/8 NPT Male	4
6	MZ1405000160	Bulkhead Fitting, 1/4" tube, 1/8" NPT, Nickel Plate	3
7	MZ1405000161	Bulkhead Fitting, 1/4" tube, 1/4" NPT, Nickel Plate	3
8	MZ1405000162	Fitting, Muffler, 1/8" NPT, Nickel Plate	3
9	MZ1405000163	Fitting, Elbow, 1/8" NPT, Male	1
10	MZ1405000164	Fitting, Bushing, 1/4" Male, 1/8" Female	1
11	MZ1405000165	Fitting, Long-Nipple, 1/4" NPT, 1.50"	1
12	MZ1405000166	Fitting, Bulkhead, 1/4" NPT, Nickel Plate	1
13	TN800707	Label, UP-DOWN, 20gauge x 1 x 2, SS	1
	MZ1405000155	Union-Tee Fitting, 1/4 tube, Nickel Plate	3
	MZ1402000067	Key, Square-Insert, 6mm	1
	TB100648-H	Control Box, Harsh	1
	TB100648-P	Control Box, Panel Mount	1

## Floor Scales

### 2266 EZ-LIFT™



#### Part Information

##### 2266 EZ-LIFT™ - Load Cell Assembly

Ref.	Part Number	Description	Qty.
1	64052905	Load cell, SE, 745, 500lb, 30' cable	4
1	64052904	Load cell, SE, 745, 500lb, 15' cable	4
1	64052910	Load cell, SE, 745, 1.25K, 30' cable	4
1	64052909	Load cell, SE, 745, 1.25K, 15' cable	4
1	64052917	Load cell, SE, 745, 2.5K, 30' cable	4
1	64052916	Load cell, SE, 745, 2.5K, 15' cable	4
2	TN800646	Screw, Socket Head Cap, 1/2-13 x 1.75", SS	8
3	MN21018	Rocker Pin, 5k L/cell or 10k scale cap (.595 x 1.5"), SS	4
4	MZ0909000005	O-ring, Rocker Pin, 250lb to 5k	8
--	510624370xxx	Cable, 24-gauge, 5-cond., shielded, Bulk (xxx=feet)	

##### 2266 EZ-LIFT™ - Junction Box and Option Hardware

--	TA100831-SS	J-Box, Assembly, Analog, 6-hole	1
--	TB100515-5	J-Box, DigiTOL, assembly (model 2160)	1
--	TB100569-4	J-Box, IDNet, Assembly	1
--	TA100831-SSA	J-Box, Assembly, Analog, 6-hole (ATEX)	1
--	MZ0901010298	Screw, Flat head, 1/2-13 x 1.5"	8
--	MZ0901010451	Screw, Flat Head, 1/2-13 x 1.5", SS	8
--	504235	IDNet Cable, 5m long	--
--	200308	Nut, Counter, PG11	--
--	ME209911	Cable, IDNet J-Box	--

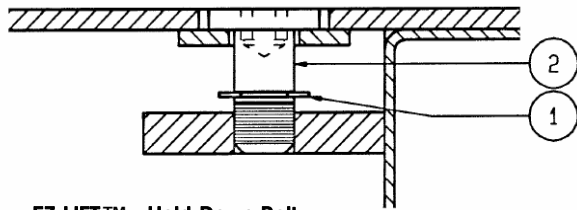
##### 2266 EZ-LIFT™ - Ramp Option Hardware

--	TA201611	Lug, Ramp (per ramp)	2
--	MZ0901030076	Washer, Lock (per ramp) 3/8"	2
--	MZ0901010124	Bolt, Hex head, 3/8-16 x 1"	2

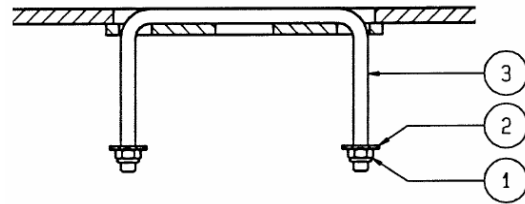
##### 2266 EZ-LIFT™ - Quick Pit Option Hardware

--	TN202623	Angle, Shipping	4
--	MZ0901010033	Screw, Hex head, 3/8-16 x 3/4"	8
--	MZ0901030011	Washer, ZN	8

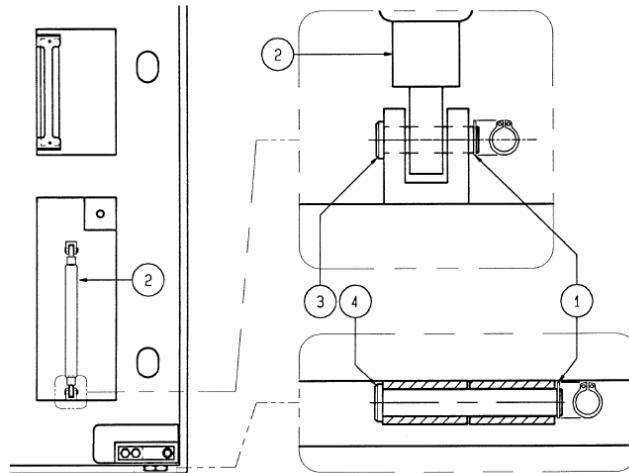
# 2266 EZ-LIFT™



EZ-LIFT™ - Hold-Down Bolt



EZ-LIFT™ - Lift Handle



EZ-LIFT™ - Lift Strut Assembly

**Part Information**

**2266 EZ-LIFT™ - Hold-Down Bolt**

Ref.	Part Number	Description	Qty.
1	MZ0908000016	Retaining Ring, EXT, E, 3/4, SS	2
2	TN203485	Bolt, Hold-Down, SS	2

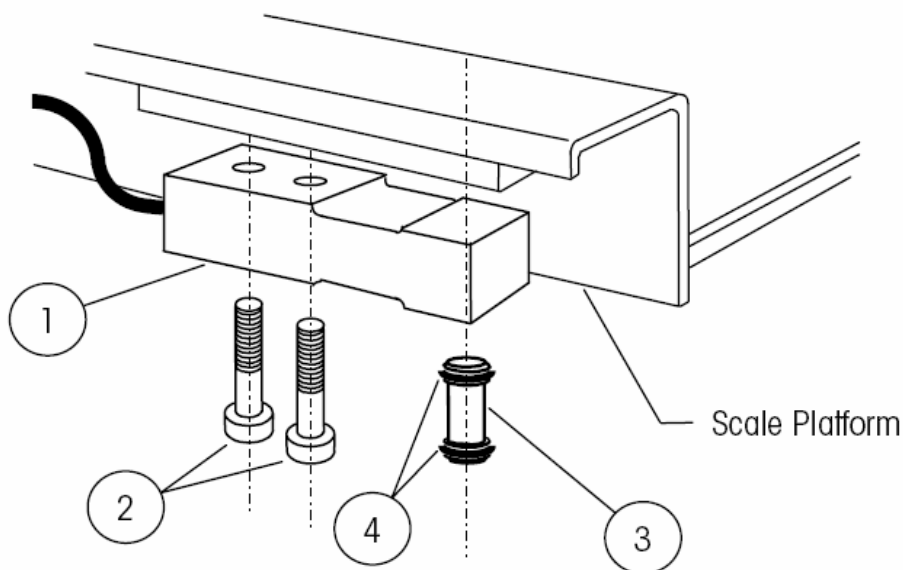
**2266 EZ-LIFT™ - Lift Handle**

1	MZ0901020102	Nut, Hex, Nylon Insert, 1/4-20, SS	2
2	MZ0901030044	Washer, Plain, SS, 1/4	2
3	TN203306	Lift Handle, 1/4", SS	1

**2266 EZ-LIFT™ - Lift Strut Assembly**

1	MZ0908000014	Retaining Ring, EXT, SH, 5/16, SS	7
2	TA204703-33	Gas Cylinder, SS, 3x3, 400n	2
2	TA204703-44	Gas Cylinder, SS, 4x4, 925n	2
2	TA204703-46	Gas Cylinder, SS, 4x6, 1900n	2
2	TA204703-55	Gas Cylinder, SS, 5x5, 1750n	2
3	TN204619	Pin, Clevis, 5/16" x 1.125", SS	4
4	TN203291	Pin, Clevis, 5/16 x 2.125", SS	3

# 2888 DECKMATE® - Static



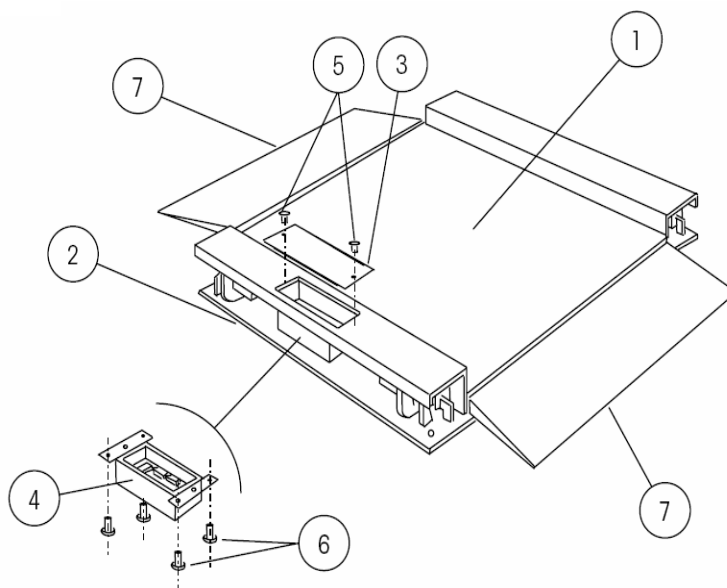
## 2888 DECKMATE® - Load Cell Assembly

### Part Information

#### 2888 DECKMATE® - Load Cell Assembly

Ref.	Part Number	Description	Qty.
1	TB600488-3	Load cell, SE, 744, 50lb, 4' cable	4
1	TB600488-3	Load cell, SE, 744, 50lb, 4' cable	4
1	61008025	Load cell, SE, 745, 500lb (NTEP)/220kg (OIML), 7.5' cable	4
1	64052903	Load cell, SE, 745, 500lb, 7.5' cable	4
1	64052908	Load cell, SE, 745, 1.25K, 7.5' cable	4
2	TN800647	Bolt, 1/2-13 x 1.75" long, CS	8
2	TN800646	Screw, Socket Head Cap, 1/2-13 x 1.75", SS	8
3	TN200050	Pin, Rocker, 250lb to 2.5k L/cell or 1-5K scale cap, SS (.595 x 1.25")	4
3	MN21018	Rocker Pin, 5k L/cell or 10k scale cap (.595 x 1.5"), SS	4
4	MZ0909000005	O-ring, Rocker Pin, 250lb to 5k	8

# 2888 DECKMATE® - Static



**Part Information**

**2888 DECKMATE® - Static Scale Assembly**

Ref.	Part Number	Description	Qty.
1	TB311352-1	Platform, 24" x 24", CS, Tread Plate	1
1	TB311352-2	Platform, 24" x 24", CS, Smooth Plate	1
1	TB310348-1	Platform, 24" x 24", SS, Smooth Plate	1
1	TB310348-2	Platform, 24" x 24", SS, Tread Plate	1
1	TC202770-1	Platform, 30" x 30", CS, Tread Plate	1
1	TC202770-2	Platform, 30" x 30", CS, Smooth Plate	1
1	TC202780-1	Platform, 30" x 30", SS, Tread Plate	1
1	TC202780-2	Platform, 30" x 30", SS, Smooth Plate	1
1	TB204328-1	Platform, 36" x 36", CS, Tread Plate	1
1	TB204328-2	Platform, 36" x 36", CS, Smooth Plate	1
1	TB204327-1	Platform, 36" x 36", SS, Tread Plate	1
1	TB204327-2	Platform, 36" x 36", SS, Smooth Plate	1
1	TB203677-1	Platform, 42" x 42", CS Tread Plate	1
1	TB203677-2	Platform, 42" x 42", CS Smooth Plate	1
1	TB203809-1	Platform, 42" x 42", SS, Tread Plate	1
1	TB203809	Platform, 42" x 42", SS, Smooth Plate	1
2	TB312786-CS	Frame, 24" x 24", CS	1
2	TB312786-SS	Frame, 24" x 24", SS	1
2	TB202771	Frame, 30" x 30", CS	1
2	TB202781	Frame, 30" x 30", SS	1
2	TB204340-CS	Frame, 36" x 36", CS	1
2	TB204340-SS	Frame, 36" x 36", SS	1
2	TB203595-CS	Frame, 42" x 42", CS	1
2	TB203595-SS	Frame, 42" x 42", SS	1
3	TN203054	Cover, J-Box, CS, (30" x 30")	1
3	TN203055	Cover, J-Box, SS, (30" x 30")	1
3	TN203588-CS	Cover, J-Box, CS, (36" x 36", 42" x 42")	1
3	TN203588-SS	Cover, J-Box, SS, (36" x 36", 42" x 42")	1
4	TB100520	J-Box Assembly	1
4	61005973	Analog junction box, 6 hole	1
5	TN100524	Screw, Flat Headm 10-32 x 5/8", SS	2
6	MZ0901010407	Screw, Phillips Head, 10-32 x 3/16", SS	4

## Floor Scales

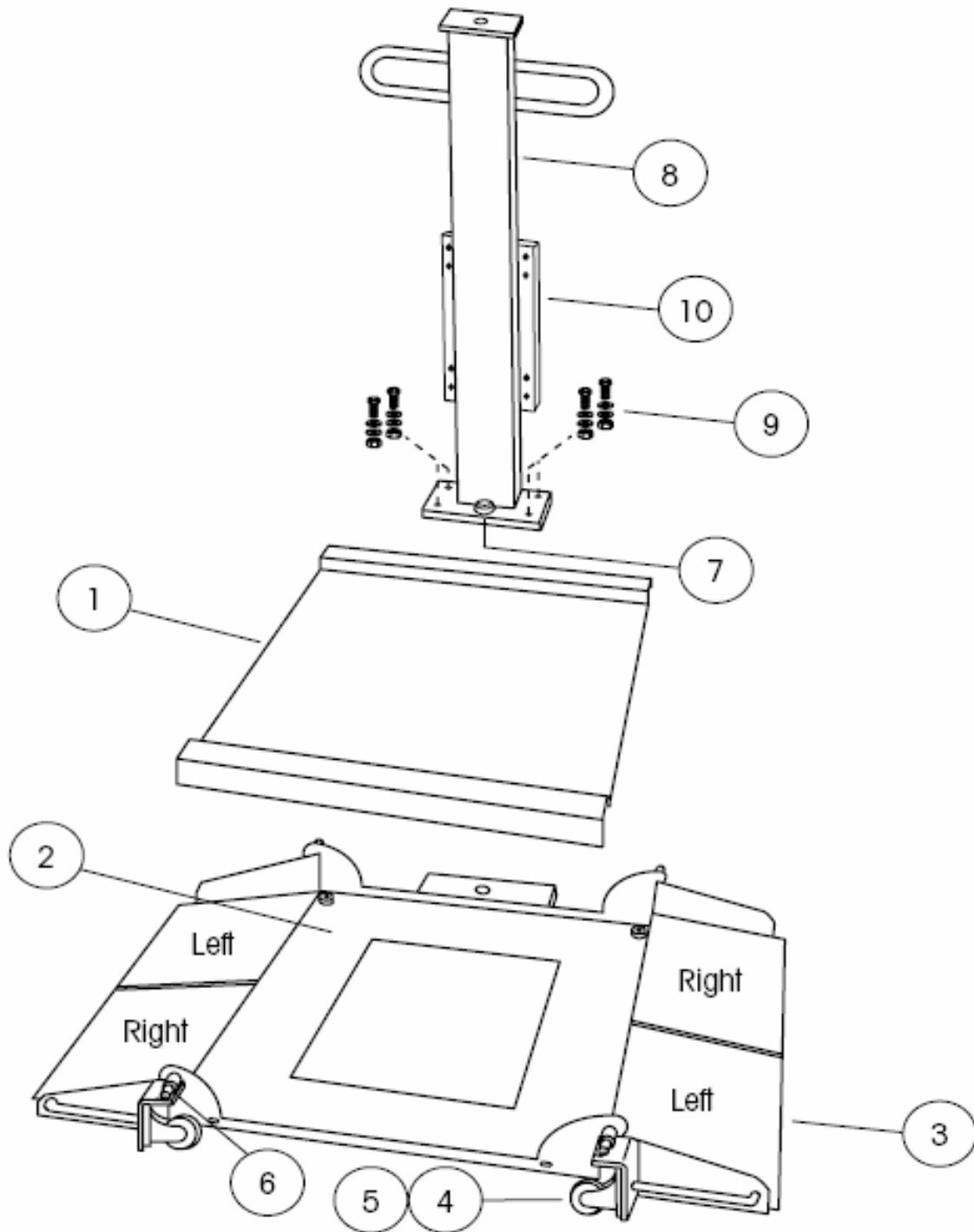
# 2888 DECKMATE® - Static (Ramps)

### Part Information

#### 2888 DECKMATE® - Static Scale Assembly

Ref.	Part Number	Description	Qty.
7	TA204424-MT	Ramp, 30" x 6", CS, Tread Plate	varies
7	TA204424-MS	Ramp, 30" x 6", CS, Smooth Plate	varies
7	TA204427-ST	Ramp, 30" x 6", SS, Tread Plate	varies
7	TA204427-SS	Ramp, 30" x 6", SS, Smooth Plate	varies
7	TA204425-MT	Ramp, 30" x 12", CS, Tread Plate	varies
7	TA204425-MS	Ramp, 30" x 12", CS, Smooth Plate	varies
7	TA204428-ST	Ramp, 30" x 12", SS, Tread Plate	varies
7	TA204428-SS	Ramp, 30" x 12", SS, Smooth Plate	varies
7	TA204357-MT	Ramp, 36" x 12", CS, Tread Plate	varies
7	TA204357-MS	Ramp, 36" x 12", CS, Smooth Plate	varies
7	TA204356-ST	Ramp, 36" x 12", SS, Tread Plate	varies
7	TA204356-SS	Ramp, 36" x 12", SS, Smooth Plate	varies
7	TA204355-MT	Ramp, 36" x 18", CS, Tread Plate	varies
7	TA204355-MS	Ramp, 36" x 18", CS, Smooth Plate	varies
7	TA204354-ST	Ramp, 36" x 18", SS, Tread Plate	varies
7	TA204354-SS	Ramp, 36" x 18", SS, Smooth Plate	varies
7	TA204392-MT	Ramp, 42" x 12", CS, Tread Plate	varies
7	TA204392-MS	Ramp, 42" x 12", CS, Smooth Plate	varies
7	TA204391-ST	Ramp, 42" x 12", SS, Tread Plate	varies
7	TA204391-SS	Ramp, 42" x 12", SS, Smooth Plate	varies
7	TA204390-MT	Ramp, 42" x 18", CS, Tread Plate	varies
7	TA204390-MS	Ramp, 42" x 18", CS, Smooth Plate	varies

# 2888 DECKMATE® - Portable



## Floor Scales

# 2888 DECKMATE® - Portable

### Part Information

#### 2888 DECKMATE® - Portable Scale Assembly

Ref.	Part Number	Description	Qty.
1	TB311352-1	Platform, 24" x 24", CS, Tread Plate	1
1	TB311352-2	Platform, 24" x 24", CS, Smooth Plate	1
1	TB310348-1	Platform, 24" x 24", SS, Smooth Plate	1
1	TB310348-2	Platform, 24" x 24", SS, Tread Plate	1
1	TC202770-1	Platform, 30" x 30", CS, Tread Plate	1
1	TC202770-2	Platform, 30" x 30", CS, Smooth Plate	1
1	TC202780-1	Platform, 30" x 30", SS, Tread Plate	1
1	TC202780-2	Platform, 30" x 30", SS, Smooth Plate	1
1	TB204328-1	Platform, 36" x 36", CS, Tread Plate	1
1	TB204328-2	Platform, 36" x 36", CS, Smooth Plate	1
1	TB204327-1	Platform, 36" x 36", SS, Tread Plate	1
1	TB204327-2	Platform, 36" x 36", SS, Smooth Plate	1
1	TB203677-1	Platform, 42" x 42", CS Tread Plate	1
1	TB203677-2	Platform, 42" x 42", CS Smooth Plate	1
1	TB203809-1	Platform, 42" x 42", SS, Tread Plate	1
1	TB203809	Platform, 42" x 42", SS, Smooth Plate	1
2	TB206850-CS	Frame, Portable, 24" x 24", CS	1
2	TB206850-SS	Frame, Portable, 24" x 24", 304SS	1
2	TB206850-S6	Frame, Portable, 24" x 24", 316SS	1
2	TB206734-CS	Frame, Portable, 30" x 30", CS	1
2	TB206734-SS	Frame, Portable, 30" x 30", 304SS	1
2	TB206734-S6	Frame, Portable, 30" x 30", 316SS	1
2	TB206778-CS	Frame, Portable, 36" x 36", CS	1
2	TB206778-SS	Frame, Portable, 36" x 36", 304SS	1
2	TB206778-S6	Frame, Portable, 36" x 36", 316SS	1
2	TB206779-CS	Frame, Portable, 42" x 42", CS	1
2	TB206779-SS	Frame, Portable, 42" x 42", 304SS	1
2	TB206779-S6	Frame, Portable, 42" x 42", 316SS	1
4	MZ1002000041	Caster, Swivel, SS	4
5	MZ0901010616	Screw, Flat Head 5/16 - 18 x 1.25", SS	16
5	MZ0901030127	Washer, Lock, SS, 5/16"	16
5	MZ0901020063	Nut, Hex, 5/16 - 18, SS	16
5	TN206760	Shim, 7 gauge	4
6	TN206755	Plunger, 5/8-11, SS	4
7	TN206847	Bubble level	1
8	TB206785-CS	Column, Instrument, CS	1
8	TB206785-SS	Column, Instrument, 304SS	1
8	TB206785-S6	Column, Instrument, 316SS	1
9	MZ0901010076	Screw, Hex Head Cap, 3/8-16 x 1.25, SS	4
9	MZ0901030060	Washer, SS, 3/8"	8
9	MZ0901030076	Washer, Lock (per ramp) 3/8"	4
9	MZ0901020016	Nut, Hex, 3/8-16, SS	4
10	TA203681	Mounting Plate	1
10	MZ0901010250	Screw, Hex head, 1/4-20 x .38", SS	4
10	MZ0901030069	Washer, Lock, SS, 1/4"	4



## 2888 DECKMATE® - Portable (Ramps)

## Part Information

## 2888 DECKMATE® - Portable Scale Assembly

Ref.	Part Number	Description	Qty.
3	TB206852-MSL	Ramp, 24" x 4.5" , CS, Smooth Plate, Left	1
3	TB206852-MSR	Ramp, 24" x 4.5" , CS, Smooth Plate, Right	1
3	TB206852-MTL	Ramp, 24" x 4.5" , CS, Tread Plate, Left	1
3	TB206852-MTR	Ramp, 24" x 4.5" , CS, Tread Plate, Right	1
3	TB206852-SSL	Ramp, 24" x 4.5" , 304SS, Smooth Plate, Left	1
3	TB206852-SSR	Ramp, 24" x 4.5" , 304SS, Smooth Plate, Right	1
3	TB206852-STL	Ramp, 24" x 4.5" , 304SS, Tread Plate, Left	1
3	TB206852-STR	Ramp, 24" x 4.5" , 304SS, Tread Plate, Right	1
3	TB206854-MSL	Ramp, 24" x 12" , CS, Smooth Plate, Left	1
3	TB206854-MSR	Ramp, 24" x 12" , CS, Smooth Plate, Right	1
3	TB206854-MTL	Ramp, 24" x 12" , CS, Tread Plate, Left	1
3	TB206854-MTR	Ramp, 24" x 12" , CS, Tread Plate, Right	1
3	TB206854-SSL	Ramp, 24" x 12" , 304SS, Smooth Plate, Left	1
3	TB206854-SSR	Ramp, 24" x 12" , 304SS, Smooth Plate, Right	1
3	TB206854-STL	Ramp, 24" x 12" , 304SS, Tread Plate, Left	1
3	TB206854-STR	Ramp, 24" x 12" , 304SS, Tread Plate, Right	1
3	TB206782-MSL	Ramp, 30" x 4.5" , CS, Smooth Plate, Left	1
3	TB206782-MSR	Ramp, 30" x 4.5" , CS, Smooth Plate, Right	1
3	TB206782-MTL	Ramp, 30" x 4.5" , CS, Tread Plate, Left	1
3	TB206782-MTR	Ramp, 30" x 4.5" , CS, Tread Plate, Right	1
3	TB206782-SSL	Ramp, 30" x 4.5" , 304SS, Smooth Plate, Left	1
3	TB206782-SSR	Ramp, 30" x 4.5" , 304SS, Smooth Plate, Right	1
3	TB206782-STL	Ramp, 30" x 4.5" , 304SS, Tread Plate, Left	1
3	TB206782-STR	Ramp, 30" x 4.5" , 304SS, Tread Plate, Right	1
3	TB206792-MSL	Ramp, 30" x 12" , CS, Smooth Plate, Left	1
3	TB206792-MSR	Ramp, 30" x 12" , CS, Smooth Plate, Right	1
3	TB206792-MTL	Ramp, 30" x 12" , CS, Tread Plate, Left	1
3	TB206792-MTR	Ramp, 30" x 12" , CS, Tread Plate, Right	1
3	TB206792-SSL	Ramp, 30" x 12" , 304SS, Smooth Plate, Left	1
3	TB206792-SSR	Ramp, 30" x 12" , 304SS, Smooth Plate, Right	1
3	TB206792-STR	Ramp, 30" x 12" , 304SS, Tread Plate, Right	1
3	TB206792-STL	Ramp, 30" x 12" , 304SS, Tread Plate, Left	1
3	TB206796-MSL	Ramp, 30" x 18" , CS, Smooth Plate, Left	1
3	TB206796-MSR	Ramp, 30" x 18" , CS, Smooth Plate, Right	1
3	TB206796-MTL	Ramp, 30" x 18" , CS, Tread Plate, Left	1
3	TB206796-MTR	Ramp, 30" x 18" , CS, Tread Plate, Right	1
3	TB206796-SSL	Ramp, 30" x 18" , 304SS, Smooth Plate, Left	1
3	TB206796-SSR	Ramp, 30" x 18" , 304SS, Smooth Plate, Right	1
3	TB206796-STR	Ramp, 30" x 18" , 304SS, Tread Plate, Right	1
3	TB206796-STL	Ramp, 30" x 18" , 304SS, Tread Plate, Left	1
3	TB206783-MSL	Ramp, 36" x 4.5" , CS, Smooth Plate, Left	1
3	TB206783-MSR	Ramp, 36" x 4.5" , CS, Smooth Plate, Right	1
3	TB206783-MTL	Ramp, 36" x 4.5" , CS, Tread Plate, Left	1
3	TB206783-MTR	Ramp, 36" x 4.5" , CS, Tread Plate, Right	1
3	TB206783-SSR	Ramp, 36" x 4.5" , 304SS, Smooth Plate, Right	1
3	TB206783-SSL	Ramp, 36" x 4.5" , 304SS, Smooth Plate, Left	1
3	TB206783-STR	Ramp, 36" x 4.5" , 304SS, Tread Plate, Right	1
3	TB206783-STL	Ramp, 36" x 4.5" , 304SS, Tread Plate, Left	1
3	TB206780-MSL	Ramp, 36" x 12" , CS, Smooth Plate, Left	1
3	TB206780-MSR	Ramp, 36" x 12" , CS, Smooth Plate, Right	1
3	TB206780-MTL	Ramp, 36" x 12" , CS, Tread Plate, Left	1
3	TB206780-MTR	Ramp, 36" x 12" , CS, Tread Plate, Right	1
3	TB206780-SSL	Ramp, 36" x 12" , 304SS, Smooth Plate, Left	1
3	TB206780-SSR	Ramp, 36" x 12" , 304SS, Smooth Plate, Right	1

## Floor Scales

# 2888 DECKMATE® - Portable (Ramps)

### Part Information

#### 2888 DECKMATE® - Portable Scale Assembly

Ref.	Part Number	Description	Qty.
3	TB206780-STL	Ramp, 36" x 12" , 304SS, Tread Plate, Left	1
3	TB206780-STR	Ramp, 36" x 12" , 304SS, Tread Plate, Right	1
3	TB206797-MSL	Ramp, 36" x 18" , CS, Smooth Plate, Left	1
3	TB206797-MSR	Ramp, 36" x 18" , CS, Smooth Plate, Right	1
3	TB206797-MTL	Ramp, 36" x 18" , CS, Tread Plate, Left	1
3	TB206797-MTR	Ramp, 36" x 18" , CS, Tread Plate, Right	1
3	TB206797-SSL	Ramp, 36" x 18" , 304SS, Smooth Plate, Left	1
3	TB206797-SSR	Ramp, 36" x 18" , 304SS, Smooth Plate, Right	1
3	TB206797-STL	Ramp, 36" x 18" , 304SS, Tread Plate, Left	1
3	TB206797-STR	Ramp, 36" x 18" , 304SS, Tread Plate, Right	1
3	TB206784-MSL	Ramp, 42" x 4.5" , CS, Smooth Plate, Left	1
3	TB206784-MSR	Ramp, 42" x 4.5" , CS, Smooth Plate, Right	1
3	TB206784-MTL	Ramp, 42" x 4.5" , CS, Tread Plate, Left	1
3	TB206784-MTR	Ramp, 42" x 4.5" , CS, Tread Plate, Right	1
3	TB206784-SSL	Ramp, 42" x 4.5" , 304SS, Smooth Plate, Left	1
3	TB206784-SSR	Ramp, 42" x 4.5" , 304SS, Smooth Plate, Right	1
3	TB206784-STL	Ramp, 42" x 4.5" , 304SS, Tread Plate, Left	1
3	TB206784-STR	Ramp, 42" x 4.5" , 304SS, Tread Plate, Right	1
3	TB206781-MSL	Ramp, 42" x 12" , CS, Smooth Plate, Left	1
3	TB206781-MSR	Ramp, 42" x 12" , CS, Smooth Plate, Right	1
3	TB206781-MTL	Ramp, 42" x 12" , CS, Tread Plate, Left	1
3	TB206781-MTR	Ramp, 42" x 12" , CS, Tread Plate, Right	1
3	TB206781-SSL	Ramp, 42" x 12" , 304SS, Smooth Plate, Left	1
3	TB206781-SSR	Ramp, 42" x 12" , 304SS, Smooth Plate, Right	1
3	TB206781-STL	Ramp, 42" x 12" , 304SS, Tread Plate, Left	1
3	TB206781-STR	Ramp, 42" x 12" , 304SS, Tread Plate, Right	1
3	TB206798-MSL	Ramp, 42" x 18" , CS, Smooth Plate, Left	1
3	TB206798-MSR	Ramp, 42" x 18" , CS, Smooth Plate, Right	1
3	TB206798-MTL	Ramp, 42" x 18" , CS, Tread Plate, Left	1
3	TB206798-MTR	Ramp, 42" x 18" , CS, Tread Plate, Right	1
3	TB206798-SSL	Ramp, 42" x 18" , 304SS, Smooth Plate, Left	1
3	TB206798-SSR	Ramp, 42" x 18" , 304SS, Smooth Plate, Right	1
3	TB206798-STL	Ramp, 42" x 18" , 304SS, Tread Plate, Left	1
3	TB206798-STR	Ramp, 42" x 18" , 304SS, Tread Plate, Right	1

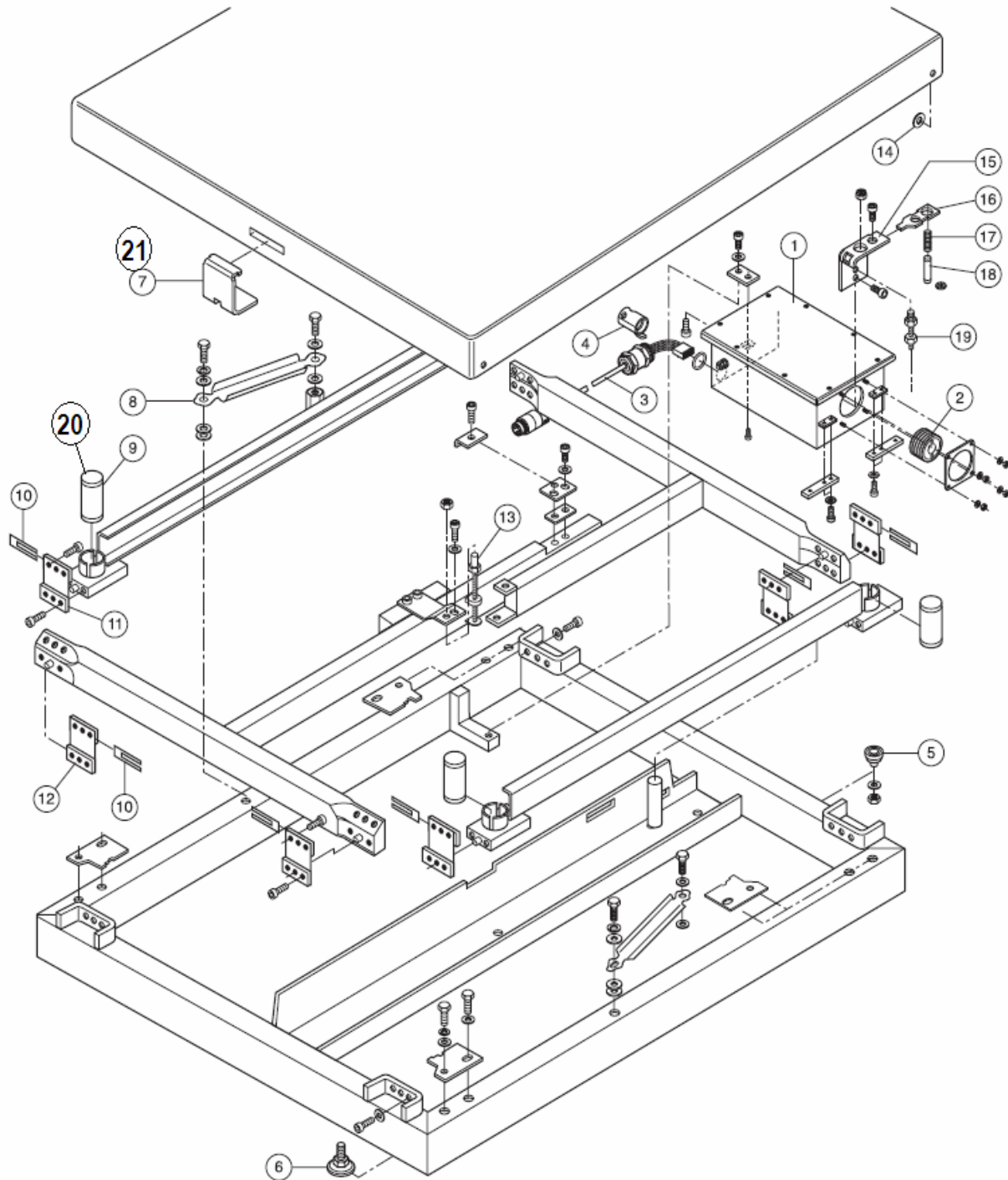
## 2888 DECKMATE® - Obsolete (2888pxxxx) Portable

### Part Information

2888 DECKMATE® - 1st Generation - Model 2888Pxxxxx

Ref.	Part Number	Description	Qty.
--	TC202772	Frame, Portable, 30" x 30", CS	1
--	TC202782	Frame, Portable, 30" x 30", SS	1
--	TB204336	Portable Frame, 36" x 36", CS	1
--	TB204335	Portable Frame, 36" x 36", SS	1
--	TC204110	Frame, Portable, 42" x 42", CS	1
--	TC203911	Frame, Portable, 42" x 42", SS	1
--	TN202939	Caster, Swivel	4
--	TN202630	Clamp, Straight-line action, SS	4
--	TA204415-MT	Ramp, 30" x 12", CS, Tread Plate	varies
--	TA204415-MS	Ramp, 30" x 12", CS, Smooth Plate	varies
--	TA204414-ST	Ramp, 30" x 12", SS, Tread Plate	varies
--	TA204414-SS	Ramp, 30" x 12", SS, Smooth Plate	varies
--	TA204413-MT	Ramp, 30" x 18", CS, Tread Plate	varies
--	TA204413-MS	Ramp, 30" x 18", CS, Smooth Plate	varies
--	TA204412-ST	Ramp, 30" x 18", SS, Tread Plate	varies
--	TA204412-SS	Ramp, 30" x 18", SS, Smooth Plate	varies
--	TA204348-MT	Ramp, 36" x 12", CS, Tread Plate	varies
--	TA204348-MS	Ramp, 36" x 12", CS, Smooth Plate	varies
--	TA204347-ST	Ramp, 36" x 12", SS, Tread Plate	varies
--	TA204347-SS	Ramp, 36" x 12", SS, Smooth Plate	varies
--	TA204344-MT	Ramp, 36" x 18", CS, Tread Plate	varies
--	TA204344-MS	Ramp, 36" x 18", CS, Smooth Plate	varies
--	TA204343-SS	Ramp, 36" x 18", SS, Smooth Plate	varies
--	TA204343-ST	Ramp, 36" x 18", SS, Steel Tread Plate	varies
--	TA204399-MT	Ramp, 42" x 12", CS, Tread Plate	varies
--	TA204399-MS	Ramp, 42" x 12", CS, Smooth Plate	varies
--	TA204400-ST	Ramp, 42" x 12", SS, Tread Plate	varies
--	TA204400-SS	Ramp, 42" x 12", SS, Smooth Plate	varies
--	TA204397-MT	Ramp, 42" x 18", CS, Tread Plate	varies
--	TA204397-MS	Ramp, 42" x 18", CS, Smooth Plate	varies
--	TA204398-ST	Ramp, 42" x 18", SS, Tread Plate	varies
--	TA204398-SS	Ramp, 42" x 18", SS, Smooth Plate	varies
--	TA202918-1	Ramp Mounting Kit (per ramp)	1
--	TN201817	Level, Circular Bubble	1
--	TB202616	Instrument column, CS	1
--	TB202618	Instrument column, SS	1
--	TN202610	Knob, Black Thermoplastic (for instrument bracket)	1

K-line KC300 / KCS300 / KC600 / KCS600



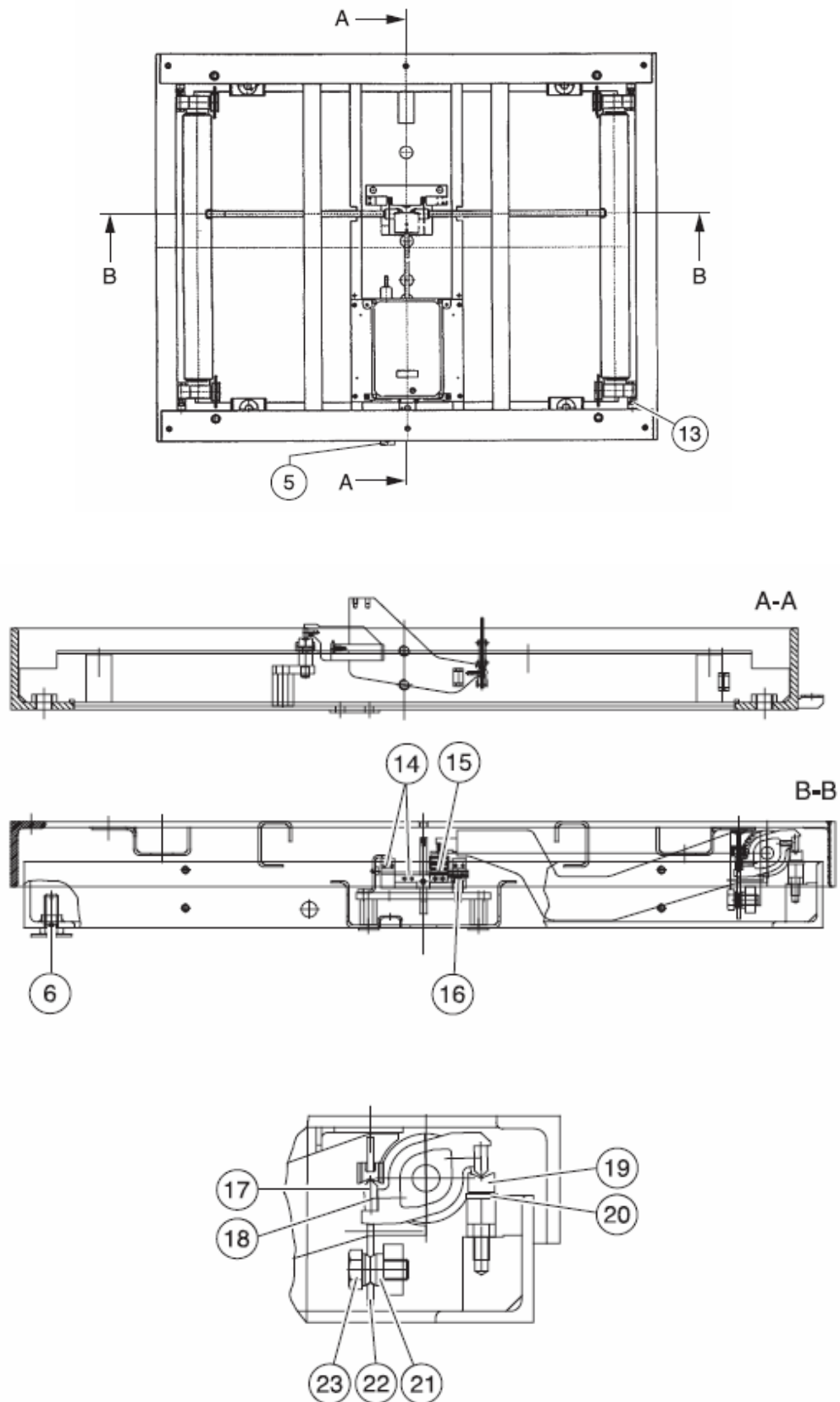
## K-line KC300 / KCS300 / KC600 / KCS600

## Part Information

## K-line - KC/KCS

Ref.	Part Number	Description	Qty.
1	22006716	Measuring Cell T-Brick 15	1
2	505801	Membrane Kit	1
3	22006720	Cable, Connection, 2.5m (M20 x 1.5)	1
3	22006721	Cable, Connection, 5m (M20x 1.5)	1
4	504219	PG gland, complete	1
5	502889	Level	1
6	502890	leveling foot	4
7	201555	Arrester, Steel	1
8	502913	Horizontal Guide	1
9	502928	Load Support	4
10	083036020	Shim Kit, KOP	
10	502935	Shim, .05mm	
10	502936	Shim, .055mm	
10	502937	Shim, .06mm	
10	502938	Shim, .065mm	
10	502940	Shim, .075mm	
10	502941	Shim, .08mm	
10	502942	Shim, .085mm	
10	502943	Shim, .09mm	
10	502944	Shim, .095mm	
10	502945	Shim, .10mm	
11	502901	Flexible bearing, long	4
12	502896	Flexible bearing, short	4
13	502931	String connector, long	1
14	502034	Protector	4
15	504236	Cell Bracket	1
16	502930	Rocker	1
17	502009	Pressure Spring	1
18	502934	Guide Pin	1
19	502932	String Connector, Short	1
20	200250	Spring (inside load support)	1
21	209913	Arrester, Plastic	1
NS	22000378	Label Set, Blank	--
NS	22000386	IDNetcard / Calibration set	--

# K-line (KD/KE/KES) - Base



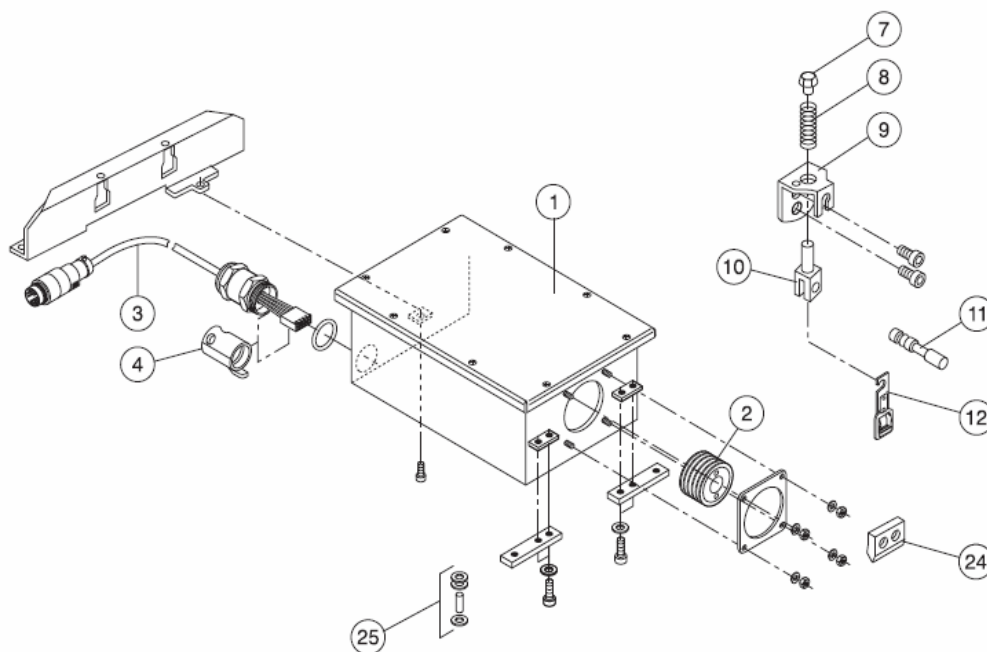
## K-line (KD/KE/KES) - Base

## Part Information

## K-line - KD/KE/KES

Ref.	Part Number	Description	Qty.
5	504924	Level Indicator	1
6	502741	leveling foot	4
13	502738	Stop Screw	4
14	502552	Knife Edge 30	2
15	502736	Link, complete	1
16	502014	Ball 6mm, workpiece # 1.4034	1
16	502551	Bearing Cage	1
16	502553	Bearing Block	1
16	502549	Bearing Shim	1
17	502725	Knife Edge, 40	2
18	083037020	Shim for knife edge 40, KOP	
18	502729	Shim for knife edge 40, .05mm	
18	502727	Shim for knife edge 40, .06mm	
18	502730	Shim for knife edge 40, .07mm	
18	502728	Shim for knife edge 40, .08mm	
18	502731	Shim for knife edge 40, .09mm	
18	502726	Shim for knife edge 40, .10mm	
19	502740	Bearing block 40	1
20	502739	Bearing Shim	1
21	505253	Socket	1
22	502732	Hanger, 40	1
23	203675	Screw, Hex, M16x35	1
NS	502098	cable clip	
NS	203912	Spring, Pneumatic, Black, 1200 N	
NS	22004321	Spring, Pneumatic, 850 N, SS	
NS	22004329	Spring, Pneumatic, 1400 N, SS	
NS	203928	Circlip	
NS	22000378	Label Set, Blank	
NS	22000386	IDNetcard / Calibration set	

# K-line (KD/KE/KES) - Weigh Cell



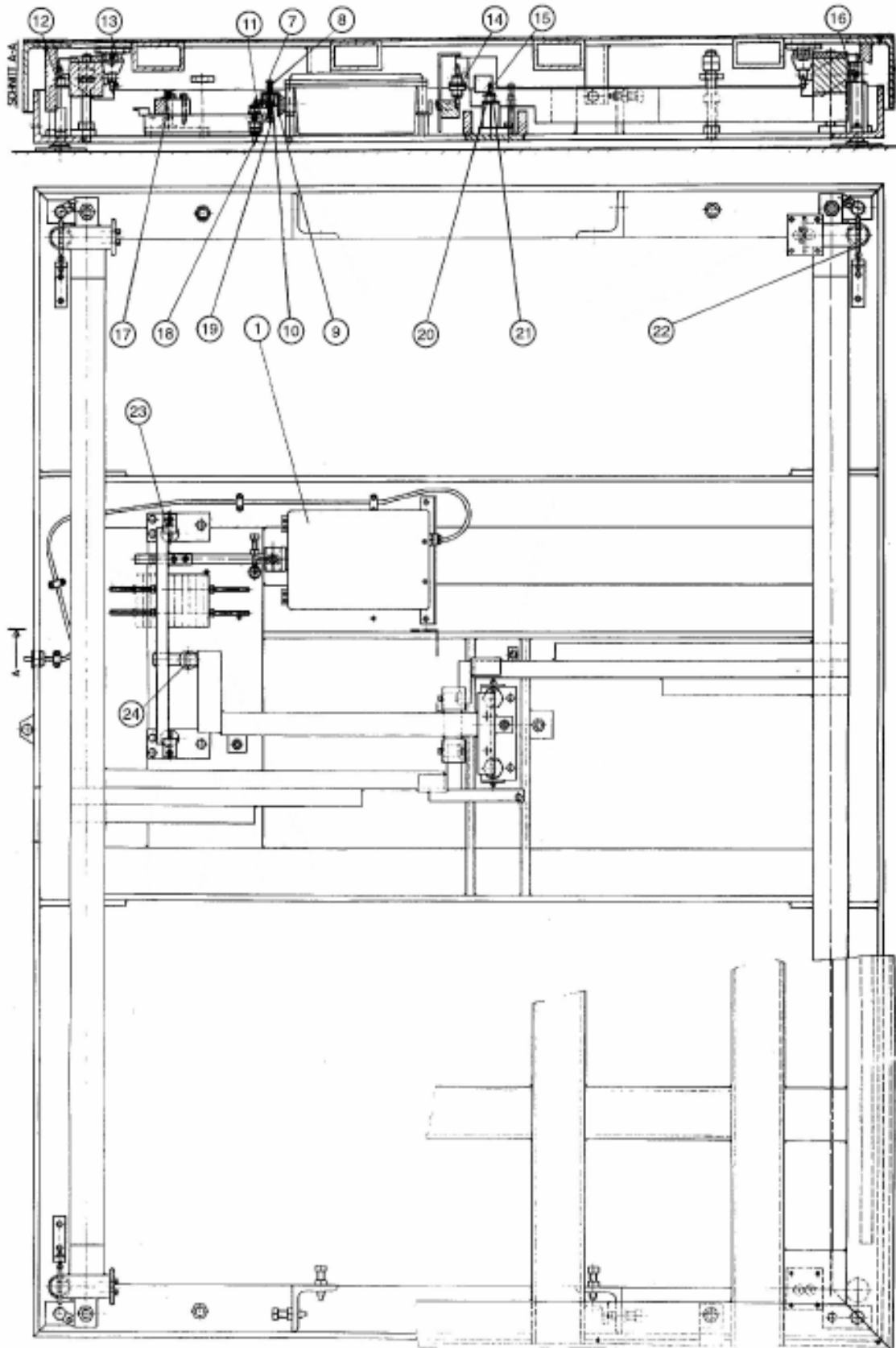
**Part Information**

K-line - KD/KE/KES

Ref.	Part Number	Description	Qty.
1	22006716	Measuring Cell T-Brick 15	1
2	505801	Membrane Kit	1
3	22006720	Cable, Connection, 2.5m (M20 x 1.5)	1
3	22006721	Cable, Connection, 5m (M20x 1.5)	1
4	504219	PG gland, complete	1
7	502904	Pressure Screw	1
8	502009	Pressure Spring	1
9	504237	Cell Bracket	1
10	502902	Clevis	1
11	502905	Hanger Pin	1
12	502947	Tension Link, Complete	1
24	502519	Knife Edge 20	1
25	505377	Cell Bearing Set	1



# K-line (KG) - Base



## Floor Scales

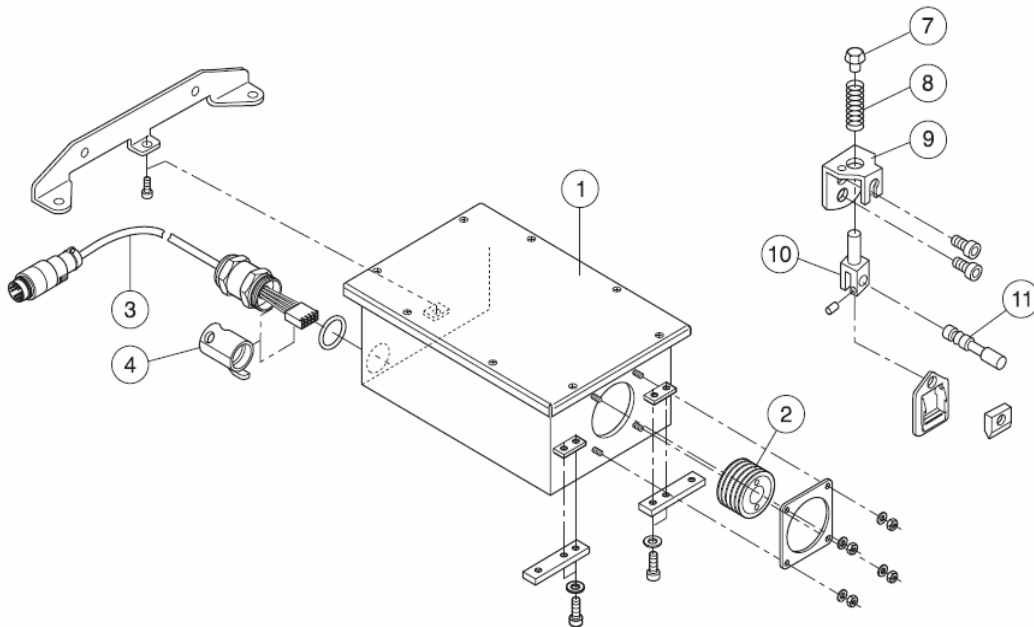
### K-line (KG) - Base

#### Part Information

K-line - KG

Ref.	Part Number	Description	Qty.
12	502746	Hinged Bearing	2
13	502755	Ball Support, complete	2
14	502748	Pressure Plate	1
15	502747	Knife edge	1
16	502745	Bearing Shim	4
17	502750	Hinged Bearing	1
18	502519	Knife Edge 20	1
18	500404	Shim for Knife Edge 20, (.10mm)	
18	500405	Shim for Knife Edge 20, (.09mm)	
18	500406	Shim for Knife Edge 20, (.08mm)	
18	500407	Shim for Knife Edge 20, (.07mm)	
18	500408	Shim for Knife Edge 20, (.06mm)	
18	500409	Shim for Knife Edge 20, (.05mm)	
19	502949	Hanger, Complete	1
20	502751	Bearing Shim	
21	502750	Hinged Bearing	1
22	502753	Knife Edge	1
23	502747	Knife edge	1
24	502752	Thrust Bearing	1
N.S	KG1500G-Foot	Foot	4
N.S	22000378	Label Set, Blank	
N.S	22000386	IDNetcard / Calibration set	

## K-line (KG) - Weigh Cell



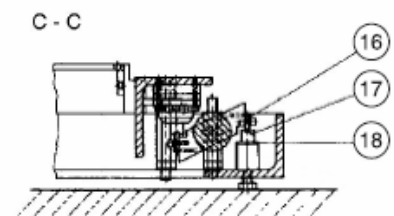
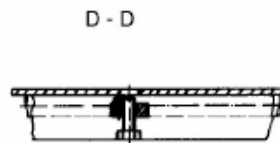
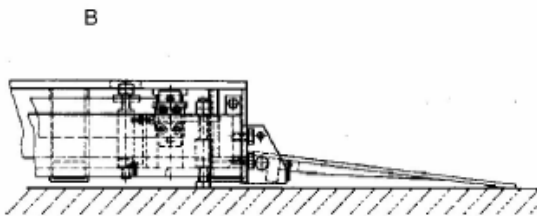
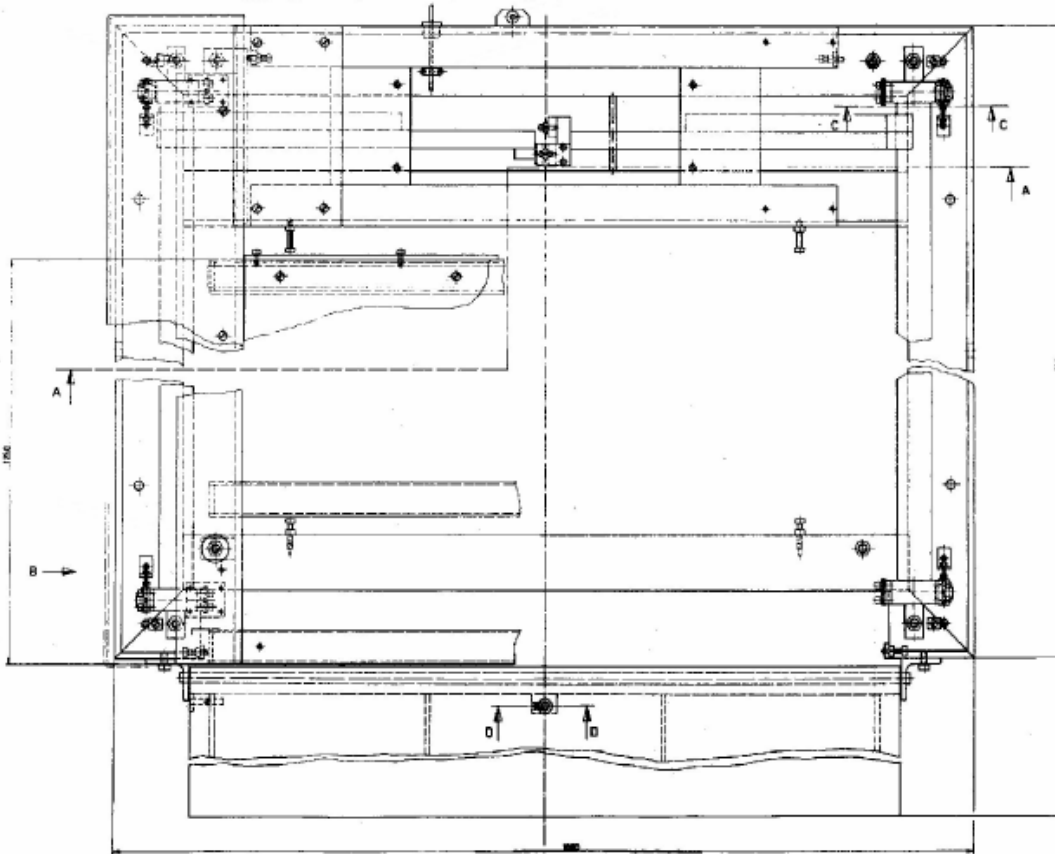
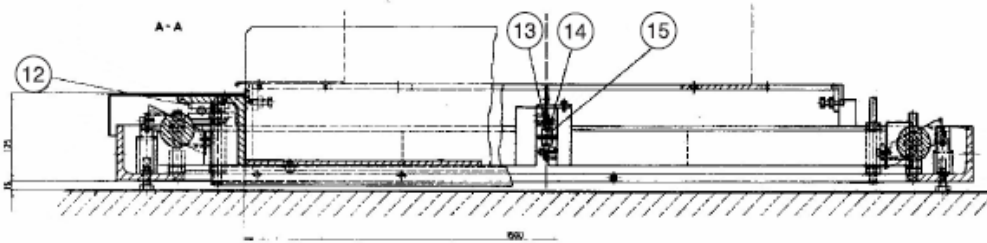
### Part Information

K-line - KG

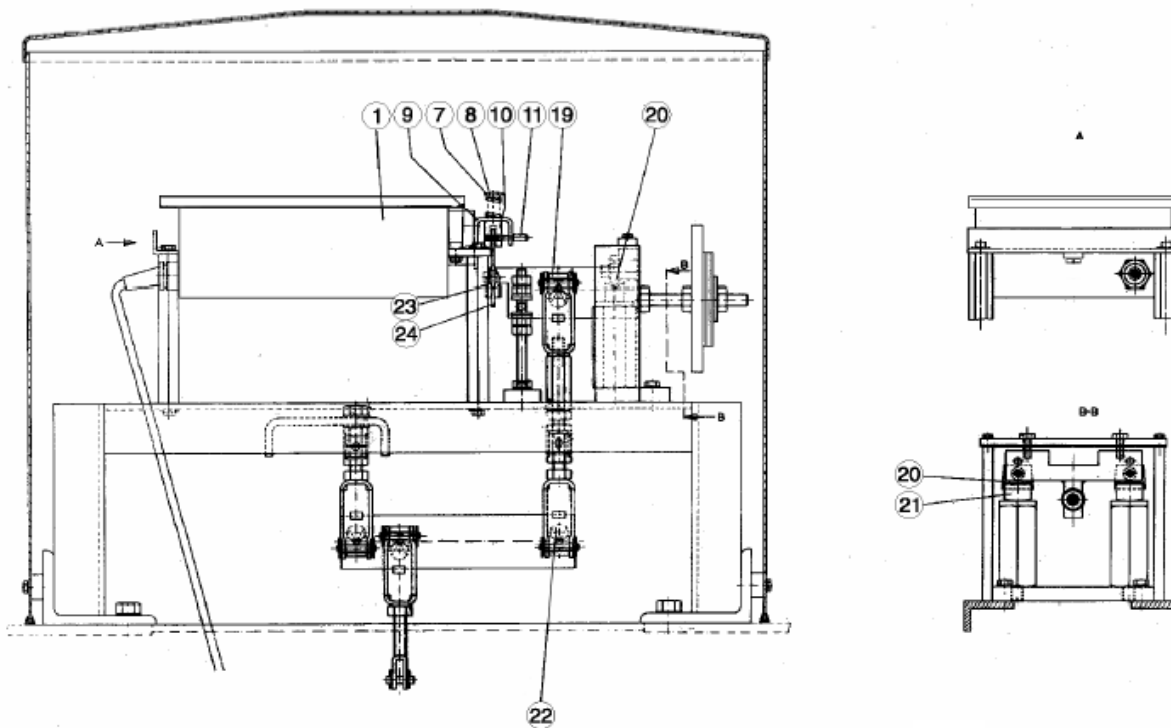
Ref.	Part Number	Description	Qty.
1	22006717	Measuring Cell T-Brick 32	1
2	505801	Membrane Kit	1
3	22006720	Cable, Connection, 2.5m (M20 x 1.5)	1
3	22006721	Cable, Connection, 5m (M20x 1.5)	1
4	504219	PG gland, complete	1
7	502904	Pressure Screw	1
8	502009	Pressure Spring	1
9	504237	Cell Bracket	1
10	502950	Clevis	1
11	502951	Hanger Pin	1

# Floor Scales

## K-line (KN) - Base



# K-line (KN) - Base

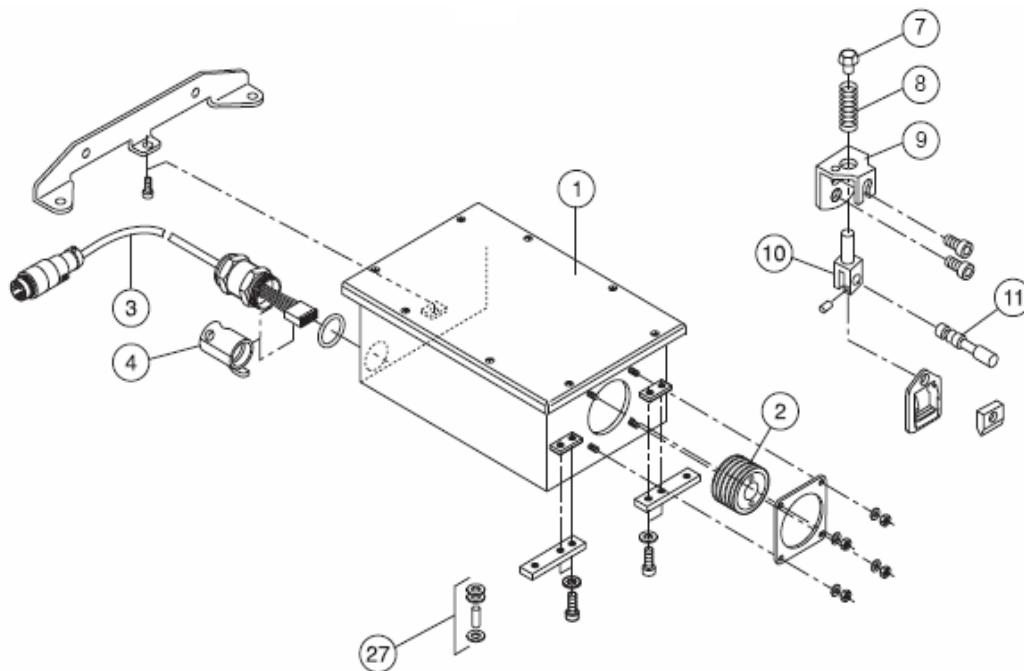


**Part Information**

K-line - KN

Ref.	Part Number	Description	Qty.
1	22006717	Measuring Cell T-Brick 32	1
7	502904	Pressure Screw	1
8	502009	Pressure Spring	1
9	504237	Cell Bracket	1
10	502950	Clevis	1
11	502951	Hanger Pin	1
12	502758	Ball Support, complete	4
13	502762	Knife Edge	1
14	502761	Bearing Ball	1
15	502760	Link	1
16	502767	Load knife edge	4
17	502757	Hinged Bearing	4
18	502751	Bearing Shim	4
20	502747	Knife edge	1
21	502750	Hinged Bearing	2
22	502765	Knife Edge	2
22	500404	Shim for Knife Edge 20, (.10mm)	
22	500405	Shim for Knife Edge 20, (.09mm)	
22	500406	Shim for Knife Edge 20, (.08mm)	
22	500407	Shim for Knife Edge 20, (.07mm)	
22	500408	Shim for Knife Edge 20, (.06mm)	
22	500409	Shim for Knife Edge 20, (.05mm)	
23	502519	Knife Edge 20	1
24	502949	Hanger, Complete	1
NS	22000378	Label Set, Blank	1
NS	22000386	IDNetcard / Calibration set	1

# K-line (KN) - Weigh Cell

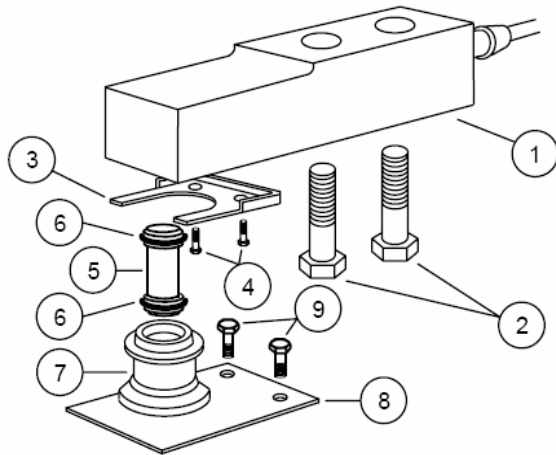


**Part Information**

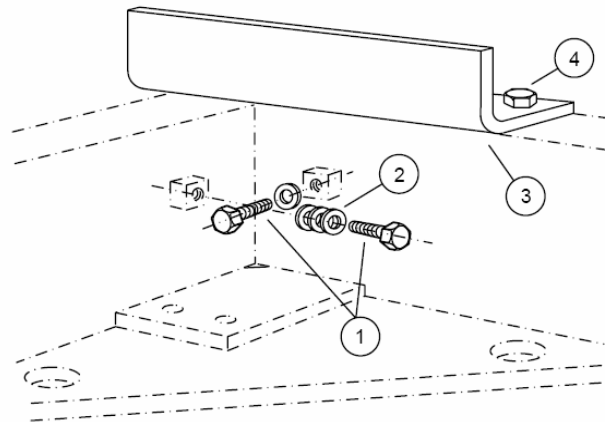
K-line - KN

Ref.	Part Number	Description	Qty.
1	22006717	Measuring Cell T-Brick 32	1
2	505801	Membrane Kit	1
3	22006720	Cable, Connection, 2.5m (M20 x 1.5)	1
3	22006721	Cable, Connection, 5m (M20x 1.5)	1
4	504219	PG gland, complete	1
7	502904	Pressure Screw	1
8	502009	Pressure Spring	1
9	504237	Cell Bracket	1
10	502950	Clevis	1
11	502951	Hanger Pin	1

# MG4500 LIFTMATE™ HD



**Load Cell and Rocket Pin / Slider Pin Assembly**



**Bumper Bolt Arrangement**

**Part Information**

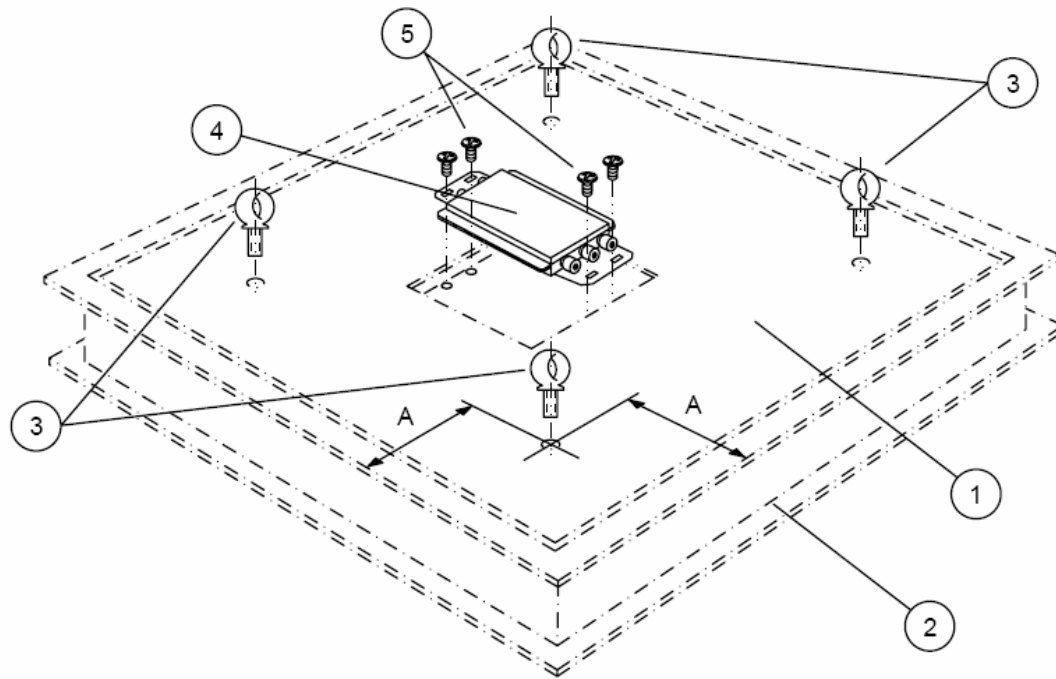
**MG4500 - Load Cell and Rocket Pin / Slider Pin Assembly**

Ref.	Part Number	Description	Qty.
1	71208066	Load cell, SE, 743, 20K, 30' cable	4
1	71208071	Load cell, SBBH, 45K, 15' cable	4
2	TN800658	Bolt, Hex Head, 1-8 x 4"	8
2	TN800662	Screw, Hex Head Cap, 1.25 - 7 x 5.5", CS	8
3	MN21033	Slider Pin Retainer (40k)	4
3	MN31790	Retainer, Slider Pin (60k)	4
4	MZ0901010165	Screw, 10-32 x 3/4"	8
5	MN21036	Rocker Pin (40k)	4
5	MN31797	Rocker Pin (60k)	4
6	MZ0909000013	O-ring, Rocker Pin, 40k	8
6	MZ0909000004	O-ring, Rocker Pin (60k)	8
7	MN21035	Slider Pin (40k)	4
7	MN32058	Slider Pin (60k)	4
8	TN202941	Shim, Load Pin Support	4
9	MZ0901010030	Screw, Hex head cap, 3/8-16 x 3/4", SS	8

**MG4500 - Bumper Bolt Arrangement**

1	MZ0901010064	Screw, Hex head, 3/8 x .5"	8
1	MZ0901010083	Screw, Hex head, 5/8 - 11 x 1.25"	8
2	MZ0901030019	Washer, Plain, SS, 3/8"	32
2	MZ0901030023	Washer, Plain, SS, 5/8"	32
3	TN202623	Angle, Shipping	4
4	MZ0901010030	Screw, Hex head cap, 3/8-16 x 3/4", SS	8

# MG4500 LIFTMATE™ HD



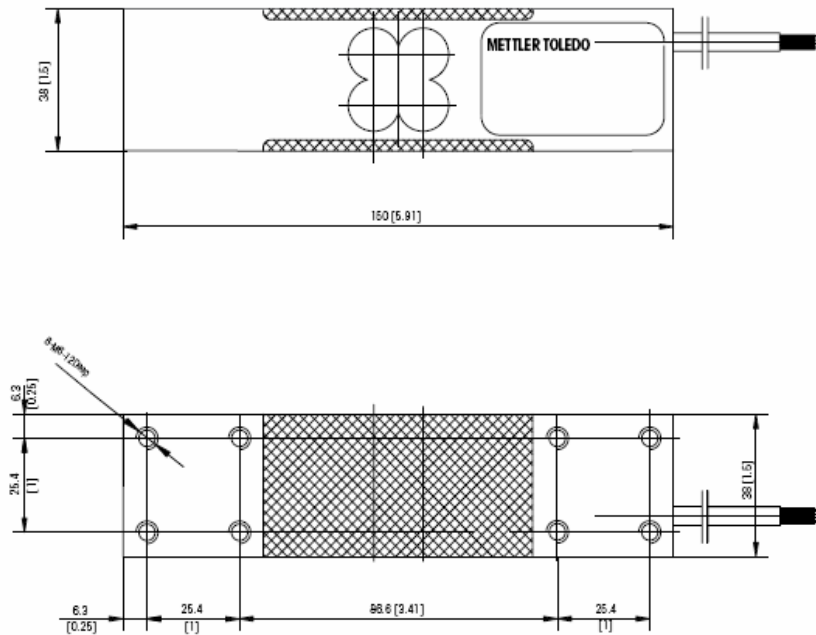
**Part Information**

**MG4500 - Scale Platform and Junction Box Assembly**

Ref.	Part Number	Description	Qty.
1	VARIES	Scale Platform	1
2	VARIES	Support Frame	1
3	MZ0905000003	Eyebolt, 3/4-10	4
4	61005973	Analog junction box, 6 hole	1
4	13640300A	PCB, analog summing card	1
5	MZ0901010379	Screw, Phillips Head, 1/4-20 x 1/4"	4
N.S	MZ0901010030	Screw, Hex head cap, 3/8-16 x 3/4", SS	4



# MT1241 Cylinder Scale



The MT1241 load cell features:

- OIML R60 C3 approval
- Off-center load compensation (R76)
- 400x400 mm platform size
- IP67 protection class
- Passivated aluminum
- 30-250kg capacity range



### Bench and Floor Scales

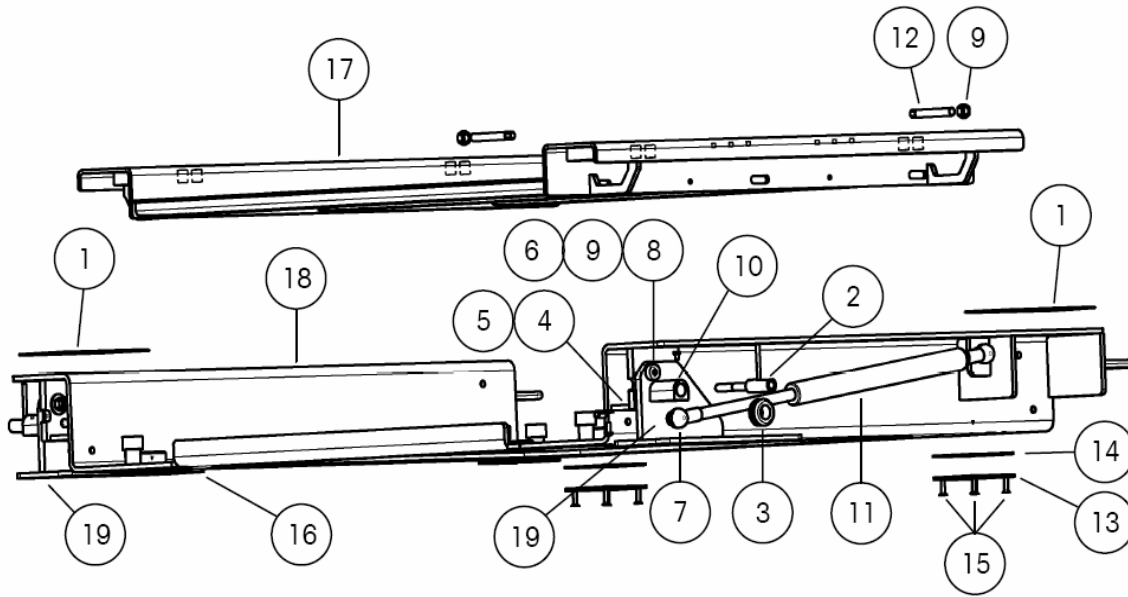
MT1241 provides the best weighing performance for bench scales and smaller floor scales in its capacity range. With a low profile design, cost optimization and an attractive product appearance can be achieved.

### Part Information

#### MT1241

Ref.	Part Number	Description
	71207451	Load Cell, SP, MT1241, 30kg, 6' cable
	71207452	Load Cell, SP, MT1241, 50kg, 6' cable
	71207453	Load Cell, SP, MT1241, 100kg, 6' cable
	71201841	Load Cell, SP, MT1241, 150kg, 2m
	71201842	Load Cell, SP, MT1241, 200kg, 2m
	71207454	Load Cell, SP, MT1241, 250kg, 6' cable
	72208493	Load cell, SP, MT1241, 30KG, 20'
	72208494	Load cell, SP, MT1241, 50KG, 20'
	72208495	Load cell, SP, MT1241, 100KG, 20'
	72208496	Load cell, SP, MT1241, 150KG, 20'
	72208497	Load cell, SP, MT1241, 200KG, 20'
	72208498	Load cell, SP, MT1241, 250KG, 20'

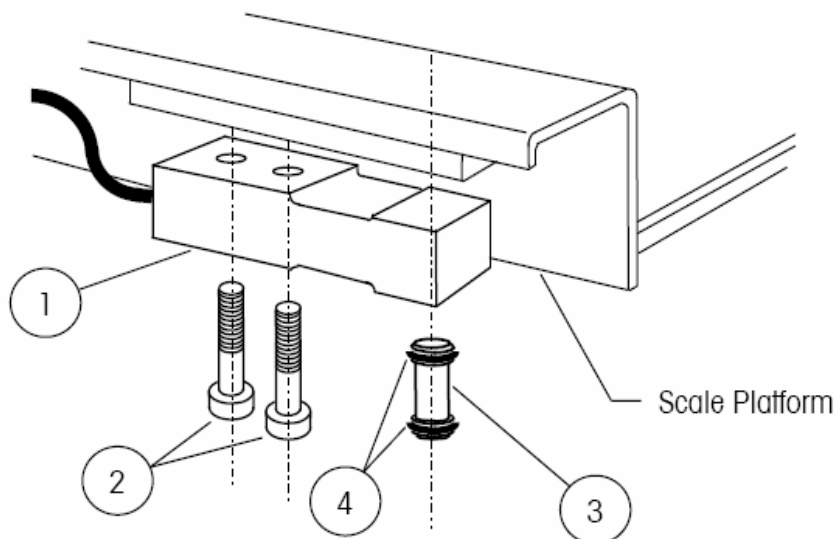
# PUA679 - Base



**Part Information**  
PUA679 - Base

Ref.	Part Number	Description	Qty.
1	TN800930	Safety Label	2
2	TN206755	Plunger, 5/8-11, SS	2
3	TN207169	Grommet	1
4	MZ0907000004	Clamp, Cable. 1/4"	1
5	MZ0901010166	Screw, Phillips Head. 10-32 x 1/2"	1
6	MZ0901020054	Nut, Hex Head Jam - 3/8-16, SS	2
7	MZ0901020144	Nut, M8 x 1.25, SS	4
8	TN207167	Screw, Shoulder, 3/8-16 x .75", SS	2
9	MZ0901020016	Nut, Hex, 3/8-16, SS	4
10	MZ0901010624	Screw, 10-32 Hex Cap, 1/4", SS	2
11	TA207140	Gas Spring, SS	2
12	TN207188-SS	Stud, 3/8" travel	2
13	TN207033-SS	Wear plate, SS	4
14	TN207034-SS	Shim, frame, SS	16
15	MZ0901010640	Screw, Phillips Flat Head, 10-32 x 0.75", SS	16
16	TA200357-1	Shim, Slotted, SS, 11 gauge	8
17	207121330003000	Platform, 30" x 30", 304 SS Tread Plate, Bead Blasted	1
17	207121430003000	Platform, 30" x 30", 304 SS Smooth Plate, Bead Blasted	1
17	207121D30003000	Platform, 30" x 30", 304 SS Smooth Plate, Electropolished	1
17	207122336003600	Platform, 36" x 36", 304 SS Tread Plate, Bead Blasted	1
17	207122436003600	Platform, 36" x 36", 304 SS Smooth Plate, Bead Blasted	1
17	207122D36003600	Platform, 36" x 36", 304 SS Smooth Plate, Electropolished	1
17	207122342004200	Platform, 42" x 42", 304 SS Tread Plate, Bead Blasted	1
17	207122442004200	Platform, 42" x 42", 304 SS Smooth Plate, Bead Blasted	1
17	207122D42004200	Platform, 42" x 42", 304 SS Smooth Plate, Electropolished	1
17	207121D30003000	Platform, 30" x 30", 304 SS Smooth Plate, Electropolished	1
17	207122336003600	Platform, 36" x 36", 304 SS Tread Plate, Bead Blasted	1
17	207122436003600	Platform, 36" x 36", 304 SS Smooth Plate, Bead Blasted	1
17	207122D36003600	Platform, 36" x 36", 304 SS Smooth Plate, Electropolished	1
17	207122342004200	Platform, 42" x 42", 304 SS Tread Plate, Bead Blasted	1
17	207122442004200	Platform, 42" x 42", 304 SS Smooth Plate, Bead Blasted	1
17	207122D42004200	Platform, 42" x 42", 304 SS Smooth Plate, Electropolished	1

# PUA679 - Load cell Assembly



### Part Information

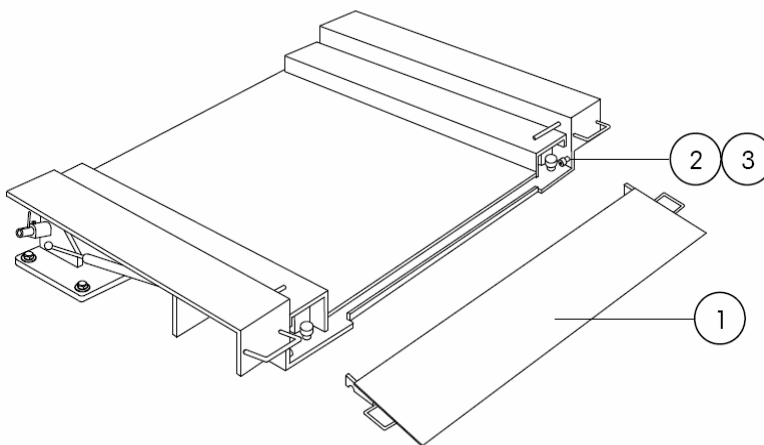
#### PUA679 - Base

Ref.	Part Number	Description	Qty.
18	TC206990-SS	Frame, 30" x 30", SS, Bead Blasted	1
18	TC206990-SSE	Frame, 30" x 30", SS, Electropolished	1
18	TC207281-SS	Frame, 36" x 36", SS, Bead Blasted	1
18	TC207281-SSE	Frame, 36" x 36", SS, Electropolished	1
18	TC206992-SS	Frame, 42" x 42", SS, Bead Blasted	1
18	TC206992-SSE	Frame, 42" x 42", SS, Electropolished	1
19	TB207009-R-SS	Hinge, Right, 30" x 30", SS, bead blasted	1
19	TB207009-L-SS	Hinge, left, 30" x 30", SS, bead blasted	1
19	TB207009-R-SSE	Hinge, Right, 30" x 30", SS, electropolished	1
19	TB207009-L-SSE	Hinge, left, 30" x 30", SS, electropolished	1
19	TB207037-R-SS	Hinge, Right, 36" x 36", SS, bead blasted	1
19	TB207037-L-SS	Hinge, left, 36" x 36", SS, bead blasted	1
19	TB207037-R-SSE	Hinge, Right, 36" x 36", SS, electropolished	1
19	TB207037-L-SSE	Hinge, left, 36" x 36", SS, electropolished	1
19	TB207039-R-SS	Hinge, Right, 42" x 42", SS, bead blasted	1
19	TB207039-L-SS	Hinge, left, 42" x 42", SS, bead blasted	1
19	TB207039-R-SSE	Hinge, Right, 42" x 42", SS, electropolished	1
19	TB207039-L-SSE	Hinge, left, 42" x 42", SS electropolished	1
--	TA100831-SS	J-Box, Assembly, Analog, 6-hole	1
--	MZ0901010379	Screw, Phillips Head, 1/4-20 x 1/4"	2
--	TN207352	Anchor, 1/2-13	8
--	MZ0901010651	Bolt, Anchor, 1/2 -13 x 1.5", SS	8
--	MZ0901030016	Washer, Plain, SS, 1/2"	8
--	TN207353-SS	Hinge Shim, SS (optional)	4

#### PUA679 -- Load Cell and Suspension Parts

1	TB600488	Load cell, SE, 744, 250lb, 7.5' cable	4
1	64052903	Load cell, SE, 745, 500lb, 7.5' cable	4
1	64052908	Load cell, SE, 745, 1.25K, 7.5' cable	4
2	TN800646	Screw, Socket Head Cap, 1/2-13 x 1.75", SS	8
3	TN200050	Pin, Rocker, 250lb to 2.5k L/cell or 1-5K scale cap, SS (.595 x 1.25")	4
4	MZ0909000005	O-ring, Rocker Pin, 250lb to 5k	8

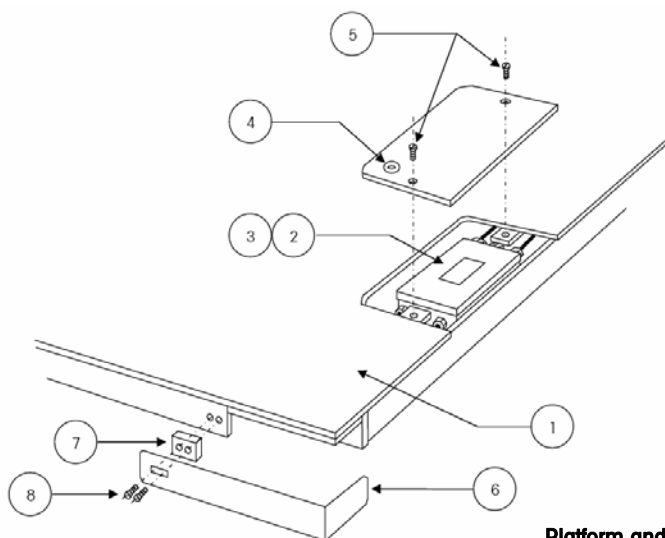
# PUA679 - Optional Ramps



**Part Information**

**PUA679 - Optional Ramps**

Ref.	Part Number	Description
1	TB207256-STB	Ramp, 30" x 12", 304 SS, Tread Plate, Bead Blasted
1	TB207256-SS	Ramp, 30" x 12", 304 SS, Smooth Plate, Bead Blasted
1	TB207256-SSE	Ramp, 30" x 12", 304 SS, Smooth Plate, Electropolished
1	TB207340-STB	Ramp, 30" x 18", 304 SS, Tread Plate, Bead Blasted
1	TB207340-SS	Ramp, 30" x 18", 304 SS, Smooth Plate, Bead Blasted
1	TB207340-SSE	Ramp, 30" x 18", 304 SS, Smooth Plate, Electropolished
1	TB207266-STB	Ramp, 36" x 12", 304 SS, Tread Plate, Bead Blasted
1	TB207266-SS	Ramp, 36" x 12", 304 SS, Smooth Plate, Bead Blasted
1	TB207266-SSE	Ramp, 36" x 12", 304 SS, Smooth Plate, Electropolished
1	TB207269-STB	Ramp, 36" x 18", 304 SS, Tread Plate, Bead Blasted
1	TB207269-SS	Ramp, 36" x 18", 304 SS, Smooth Plate, Bead Blasted
1	TB207269-SSE	Ramp, 36" x 18", 304 SS, Smooth Plate, Electropolished
1	TB207341-STB	Ramp, 42" x 12", 304 SS, Tread Plate, Bead Blasted
1	TB207341-SS	Ramp, 42" x 12", 304 SS, Smooth Plate, Bead Blasted
1	TB207341-SSE	Ramp, 42" x 12", 304 SS, Smooth Plate, Electropolished
1	TB207342-STB	Ramp, 42" x 18", 304 SS, Tread Plate, Bead Blasted
1	TB207342-SS	Ramp, 42" x 18", 304 SS, Smooth Plate, Bead Blasted
1	TB207342-SSE	Ramp, 42" x 18", 304 SS, Smooth Plate, Electropolished
2	TN207283	Screw, Shoulder, 3/8-16, SS
3	MZ0901020016	Nut, Hex, 3/8-16, SS



Platform and Junction Box Assembly

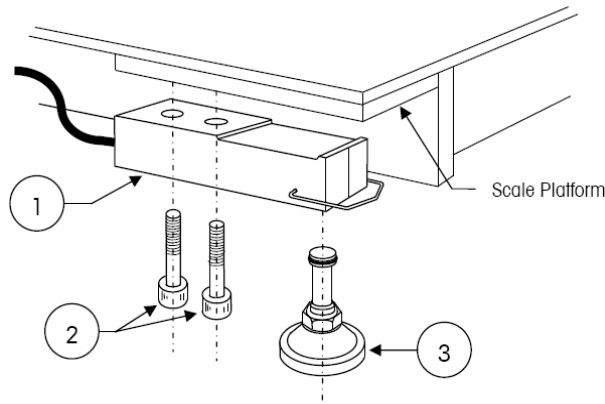
**Part Information**

**VLC - Platform and Junction Box Assembly -**

Ref.	Part Number	Description	Qty.
1	TC207096-MT56	Platform, 36" X 36", CS, Tread Plate (1K, 2.5K, 5K)	1
1	TC207097-MT56	Platform, 48" X 48", CS, Tread Plate (1K, 2.5K, 5K)	1
1	TC207102-MT56	Platform, 48" X 48", CS, Tread Plate (10K)	1
1	TC207154-MT56	Platform, 48" X 60", CS, Tread Plate (2.5K, 5K)	1
1	TC207103-MT56	Platform, 48" X 60", CS, Tread Plate (10K)	1
1	TC207100-MT56	Platform, 60" X 60", CS, Tread Plate (2.5K, 5K)	1
1	TC207105-MT56	Platform, 60" X 60", CS, Tread Plate (10K)	1
1	TC207099-MT56	Platform, 48" X 72", CS, Tread Plate (2.5K, 5K)	1
1	TC207104-MT56	Platform, 48" X 72", CS, Tread Plate (10K)	1
1	TC207155-MT56	Platform, 60" X 84", CS, Tread Plate (2.5K, 5K)	1
1	TC207106-MT56	Platform, 60" X 84", CS, Tread Plate (10K)	1
1	TC207096-SS56	Platform, 36" X 36", SS, Smooth Plate (1K, 2.5K, 5K)	1
1	TC207097-SS56	Platform, 48" X 48", SS, Smooth Plate (1K, 2.5K, 5K)	1
1	TC207102-SS56	Platform, 48" X 48", SS, Smooth Plate (10K)	1
1	TC207154-SS56	Platform, 48" X 60", SS, Smooth Plate (2.5K, 5K)	1
1	TC207103-SS56	Platform, 48" X 60", SS, Smooth Plate (10K)	1
1	TC207100-SS56	Platform, 60" X 60", SS, Smooth Plate (2.5K, 5K)	1
1	TC207105-SS56	Platform, 60" X 60", SS, Smooth Plate (10K)	1
1	TC207099-SS56	Platform, 48" X 72", SS, Smooth Plate (2.5K, 5K)	1
1	TC207104-SS56	Platform, 48" X 72", SS, Smooth Plate (10K)	1
1	TC207155-SS56	Platform, 60" X 84", SS, Smooth Plate (2.5K, 5K)	1
1	TC207106-SS56	Platform, 60" X 84", SS, Smooth Plate (10K)	1
2	TA100831-SS	J-Box, Assembly, Analog, 6-hole	1
2	TC100814	PCB, analog J-Box	1
2	TA800218	Desiccant Bag	1
3	MZ0901010379	Screw, Phillips Head, 1/4-20 x 1/4"	2
4	TN206847	Bubble level	1
5	MZ0901010035	Screw, Flat head, 3/8-16 x 3/4"	2
6	TN207225-SSE	Corner Guard	4
7	TN207223-SSE	Spacer	4
8	MZ0901010647	Screw, 1/4 - 14 Hex Head Self-Tap, 1.25", SS	8

# Floor Scales

## VLC 2256

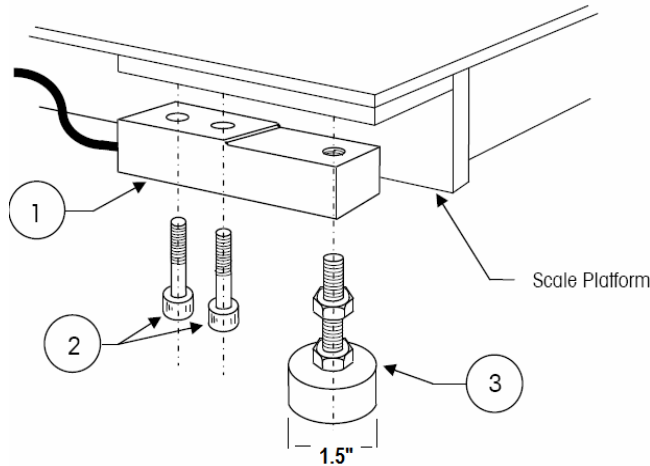


Load Cell and Leveling Foot Assembly - Version 4 (2256-4xxxxx)

### Part Information

#### VLC - Load Cell and Foot Assembly (2256-4xxxxx)

Ref.	Part Number	Description	Qty.
1	64052903	Load cell, SE, 745, 500lb, 7.5' cable	4
1	64052908	Load cell, SE, 745, 1.25K, 7.5' cable	4
1	64052915	Load cell, SE, 745, 2.5K, 7.5' cable	4
1	64052922	Load cell, SE, 745, 5K, 7.5' cable	4
2	TN800646	Screw, Socket Head Cap, 1/2-13 x 1.75", SS	8
2	TN800647	Bolt, 1/2-13 x 1.75" long, CS	8
2	TN800649	Bolt, 1/2-13 x 2", SS	8
2	TN800650	Bolt, 1/2-13 bolt x 2" long, CS	8
3	TN207058	Foot, leveling assembly w/ retainer clip, SS	4

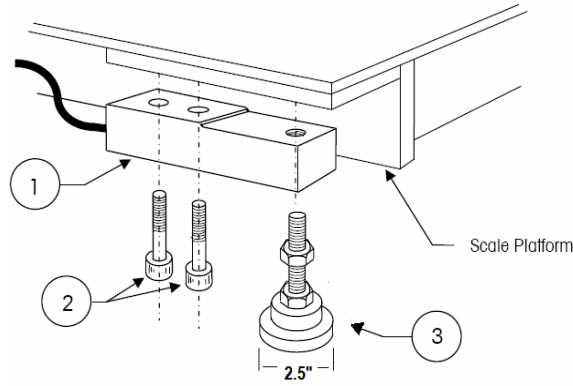


Load Cell and Leveling Foot Assembly - Version 3 (2256-3xxxxx)

### Part Information

#### VLC - Load Cell and Foot Assembly (2256-3xxxxx)

Ref.	Part Number	Description	Qty.
1	TB601015-008	Load cell, SE, 793, 1K, 8' cable	4
1	TB601015-020	Load cell, SE, 793, 1K, 20' cable	4
1	TB601016-008	Load cell, SE, 793, 2.5K, 8' cable	4
1	TB601016-020	Load cell, SE, 793, 2.5K, 20' cable	4
1	TB601018-008	Load cell, SE, 793, 5K, 8' cable	4
1	TB601018-020	Load cell, SE, 793, 5K, 20' cable	4
2	TN800647	Bolt, 1/2-13 x 1.75" long, CS	8
2	TN800648	Screw, Socket Head Cap, 1/2-13 x 1.75", SS	8
3	TN206043-SS	Foot, Swivel assembly (1.5" diam base)	4

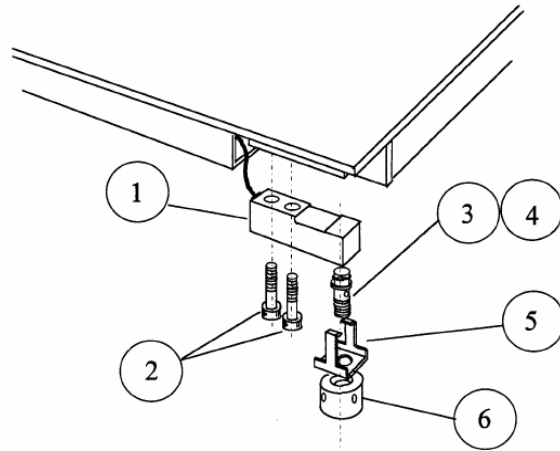


Load Cell and Leveling Foot Assembly - Version 2 (2256-2xxxxx)

Part Information

VLC - Load Cell and Foot Assembly (2256-2xxxxx)

Ref.	Part Number	Description	Qty.
1	TB601015-008	Load cell, SE, 793, 1K, 8' cable	4
1	TB601015-020	Load cell, SE, 793, 1K, 20' cable	4
1	TB601016-008	Load cell, SE, 793, 2.5K, 8' cable	4
1	TB601016-020	Load cell, SE, 793, 2.5K, 20' cable	4
2	TB601018-008	Load cell, SE, 793, 5K, 8' cable	4
2	TB601018-020	Load cell, SE, 793, 5K, 20' cable	4
2	TN800647	Bolt, 1/2-13 x 1.75" long, CS	8
2	TN800648	Screw, Socket Head Cap, 1/2-13 x 1.75", SS	8
3	TN203980-SS	Foot, swivel assembly (2.5" diam. base)	4



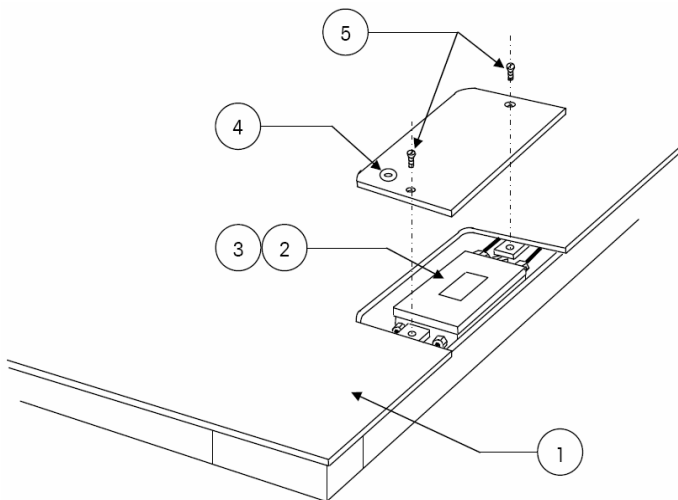
Load Cell and Leveling Foot Assembly - Version 1 (2256-1xxxxx)

Part Information

VLC - Load Cell and Foot Assembly (2256-1xxxxx)

Ref.	Part Number	Description	Qty.
1	TB600488-1	Load cell, SE, 744, 250lb, 15' cable	4
1	64052908	Load cell, SE, 745, 1.25K, 7.5' cable	4
1	64052915	Load cell, SE, 745, 2.5K, 7.5' cable	4
1	64052922	Load cell, SE, 745, 5K, 7.5' cable	4
2	MZ0901010333	Screw, Socket head, 1/2 - 13 x 1.75"	8
3	TA203345	Load Pin, (500lb to 6k)	4
3	TA203346	Load Pin, (10k)	4
4	MZ0909000005	O-ring, Rocker Pin, 250lb to 5k	8
5	TA203104	Retainer, Mounting foot (500lb to 6K)	4
5	TA203347	Retainer, Mounting foot (10K)	4
6	TN203103	Mounting Foot Base, (500lb to 10k)	8

# VLC 2256



Platform and Junction Box Assembly Ver. 2 (22562xxxxx) & 3 (22563xxxxx)

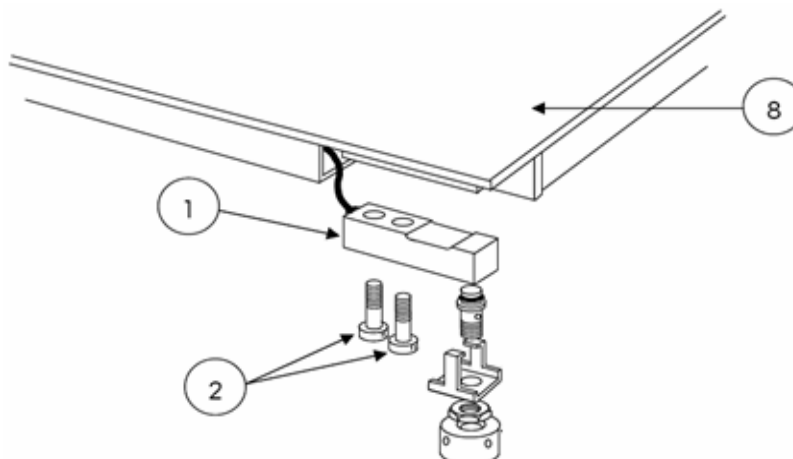
**Part Information**

VLC - Platform and Junction Box Assembly (22562xxxxx and 22563xxxxx)

Ref.	Part Number	Description	Qty.
1	TC205104-1	Platform, 36" x 36", CSI	1
1	TC205105-1	Platform, 48" x 48", CS	1
1	TC205106-1	Platform, 48" x 48", CS	1
1	TC205107-1	Platform, 48" x 60", CS	1
1	TC205108-1	Platform, 48" x 60", CS	1
1	TC205109-1	Platform, 60" x 60", CS	1
1	TC205110-1	Platform, 60" x 60", CS	1
1	TC205111-1	Platform, 48" x 72", CS	1
1	TC205112-1	Platform, 48" x 72", CS	1
1	TC205113-1	Platform, 60" x 84", CS	1
1	TC205114-1	Platform, 60" x 84", CS	1
1	TC205115-1	Platform, 36" x 36", SS	1
1	TC205116-1	Platform, 48" x 48", SS	1
1	TC205117-1	Platform, 48" x 48", SS	1
1	TC205118-1	Platform, 48" x 60", SS	1
1	TC205119-1	Platform, 48" x 60", SS	1
1	TC205120-1	Platform, 60" x 60", SS	1
1	TC205121-1	Platform, 60" x 60", SS	1
1	TC205122-1	Platform, 48" x 72", SS	1
1	TC205123-1	Platform, 48" x 72", SS	1
1	TC205124-1	Platform, 60" x 84", SS	1
1	TC205125-1	Platform, 60" x 84", SS	1
2	61005973	Analog junction box, 6 hole	1
3	MZ0901010379	Screw, Phillips Head, 1/4-20 x 1/4"	4
4	TN201817	Level, Circular Bubble	1
5	MZ0901010035	Screw, Flat head, 3/8-16 x 3/4"	2



VLC 2256



Load Cell and Level Foot Assembly Ver.1 (22561xxxx)

Part Information

VLC - Load Cell and Level Foot Assembly (22561xxxx)

Ref.	Part Number	Description	Qty.
1	64052908	Load cell, SE, 745, 1.25K, 7.5' cable	4
1	64052915	Load cell, SE, 745, 2.5K, 7.5' cable	4
1	64052922	Load cell, SE, 745, 5K, 7.5' cable	4
2	MZ0901010333	Screw, Socket head, 1/2 - 13 x 1.75"	8
2	MZ0901010409	Screw, Socket Head, 1/2-13 x 2"	8
2	MZ0901010384	Screw, Hex Head, 1/2 - 13 x 1.75"	8
2	MZ0901010441	Screw, Hex Head, 1/2- 3 x 2"	8
8	TB203359-1	Platform, 36" x 36", CS, (3k and 6k)	1
8	TB203095	Platform, 48" x 48", CS, (3k and 6k)	1
8	TB203417-1	Platform, 48" x 48", CS, (10k)	1
8	TB203096	Platform, 48" x 60", CS, (3k and 6k)	1
8	TB203418-1	Platform, 48" x 60", CS, (10k)	1
8	TB203097	Platform, 60" x 60", CS, (3k and 6k)	1
8	TB203331-1	Platform, 60" x 60", CS, (10k)	1
8	TB203419-1	Platform, 36" x 36", SS, (3k and 6k)	1
8	TB203098	Platform, 48" x 48", SS, (3k and 6k)	1
8	TB203420-1	Platform, 48" x 48", SS, (10k)	1
8	TB203099	Platform, 48" x 60", SS, (3k and 6k)	1
8	TB203421-1	Platform, 48" x 60", SS, (10k)	1
8	TB203100	Platform, 60" x 60", SS, (3k and 6k)	1
8	TB203422-1	Platform, 60" x 60", SS, (10k)	1

## Floor Scales

# VLC 2256 Accessories (22564xxxx)

### Part Information

2256 VLC - Accessories (22564xxxx)

Ref.	Part Number	Description
<b>Quick Pit Frames - Mild Steel</b>		
	564QPBO000	QPF, PS, 1-10K, 3x3, 4.44H
	564QPBO001	QPF, PS, 1-10K, 4x4, 4.44H
	564QPBO002	QPF, PS, 1-10K, 4x5, 4.44H
	564QPBO003	QPF, PS, 1-10K, 4x6, 4.44H
	564QPBO004	QPF, PS, 1-10K, 5x5, 4.44H
	564QPBO005	QPF, PS, 1-10K, 5x7, 4.44H
<b>Quick Pit Frames - Stainless Steel</b>		
	566QPJ0000	QPF, SSB, 1-10K, 3x3, 3.44H
	566QPJ0001	QPF, SSB, 1-10K, 4x4, 3.44H
	566QPJ0002	QPF, SSB, 1-10K, 4x5, 3.44H
	566QPJ0003	QPF, SSB, 1-10K, 4x6, 3.44H
	566QPJ0004	QPF, SSB, 1-10K, 5x5, 3.44H
	566QPJ0005	QPF, SSB, 1-10K, 5x7, 3.44H
<b>Ramps - Mild Tread</b>		
	564RPA0000	Ramp, PT, 1-10K, 3x3, 3.44H
	564RPA0001	Ramp, PT, 1-10K, 4x3, 3.44H
	564RPA0002	Ramp, PT, 1-10K, 5x3, 3.44H
	564RPA0003	Ramp, PT, 1-10K, 4x5, 3.44H
	564RPA0004	Ramp, PT, 1-10K, 5x5, 3.44H
<b>Ramps - Stainless Smooth</b>		
	566RPJ0000	Ramp, SSB, 1-10K, 3x3, 3.44H
	566RPJ0001	Ramp, SSB, 1-10K, 4x3, 3.44H
	566RPJ0002	Ramp, SSB, 1-10K, 5x3, 3.44H
	566RPJ0003	Ramp, SSB, 1-10K, 4x5, 3.44H
	566RPJ0004	Ramp, SSB, 1-10K, 5x5, 3.44H
<b>Forklift Frames - Mild Steel</b>		
	564PFB0000	FLF, PS, 1-10K, 3x3, 3.44H
	564PFB0001	FLF, PS, 1-10K, 4x4, 3.44H
	564PFB0002	FLF, PS, 1-10K, 4x5, 3.44H
	564PFB0003	FLF, PS, 1-10K, 4x6, 3.44H
	564PFB0004	FLF, PS, 1-10K, 5x5, 3.44H
	564PFB0005	FLF, PS, 1-10K, 5x7, 3.44H

## VLX Commercial Duty



## Part Information

## VLX (Version VLX3)

Ref.	Part Number	Description	Qty.
	SQB-.5K-SN-8	Load Cell, SE, SQB, 500lb, 8' cable	4
	SQB-1K-SN-8	Load Cell, SE, SQB, 1k, 8' cable	4
	SQB-2.5K-SN-8	Load Cell, SE, SQB, 2.5k, 8' cable	4
	MZ0901010512	Bolt, 1/2 - 13 x 1.5"	8
	TN800647	Bolt, 1/2-13 x 1.75" long, CS	8
	TN206077	Foot, 1/2-20 x 3.88H	4
	MZ0901020037	Nut, Jam, 1/2-20, ZN	4
	71210743	PCB, Analog, J-box	1
	TN206847	Bubble level	1
	TA100753	Enclosure, Bottom, J-Box	1
	TN100751	Cover, J-Box	1
	TA100754	Gasket, J-Box cover	1

## VLX (Version VLX3) - Options

	VLXA2100	Ramp 48" x 48" (option)	1
	VLXA2101	Ramp 36" x 48" (option)	1
	VLXA1200	Foot Locating Plate (option)	4

## VLX Obsolete (Version VLX2, VLX1, VLX0)

Ref.	Part Number	Description	Qty.
	TB600830-008	Load cell, SE, 713, 500lb, 8' cable	4
	TB600831-008	Load cell, SE, 713, 1K, 8' cable	4
	TB600833-008	Load cell, SE, 713, 2.5K, 8' cable	4
	TB601019-008	Load cell, SE, 793, 500LB, 8' cable	4
	TB601015-008	Load cell, SE, 793, 1K, 8' cable	4
	TB601016-008	Load cell, SE, 793, 2.5K, 8' cable	4
	TN800650	Bolt, 1/2-13 bolt x 2" long, CS	8
	TN203980-SS	Foot, swivel assembly (2.5" diam. base)	4
	TN206043-SS	Foot, Swivel assembly (1.5" diam base)	4

## VLX (Version VLX2, VLX1, VLX0) - Options

	VLXA0100	Ramp, 48" x 48"	
	VLXA0101	Ramp, 36" x 48"	
	VLXA1100	Ramp, 48" x 48" (VLX2)	
	VLXA1101	Ramp, 36" x 36" (VLX2)	
	VLXA0201	Foot Locating Plate	
	VLXA1200	Foot Locating Plate (option)	

# Notes