

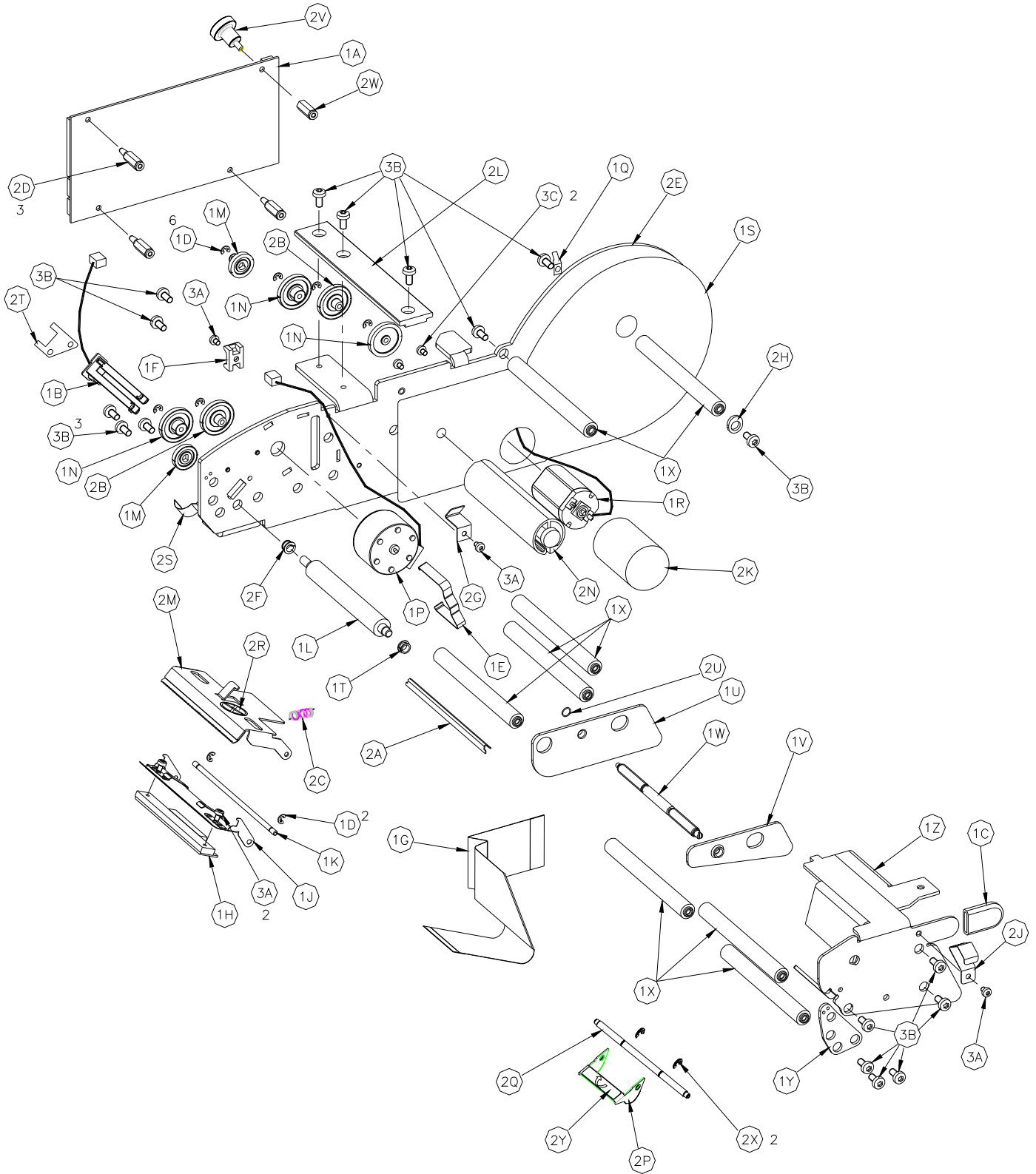
PARTS LIST

MODEL UC-ST

RETAIL SCALE



PRINTER

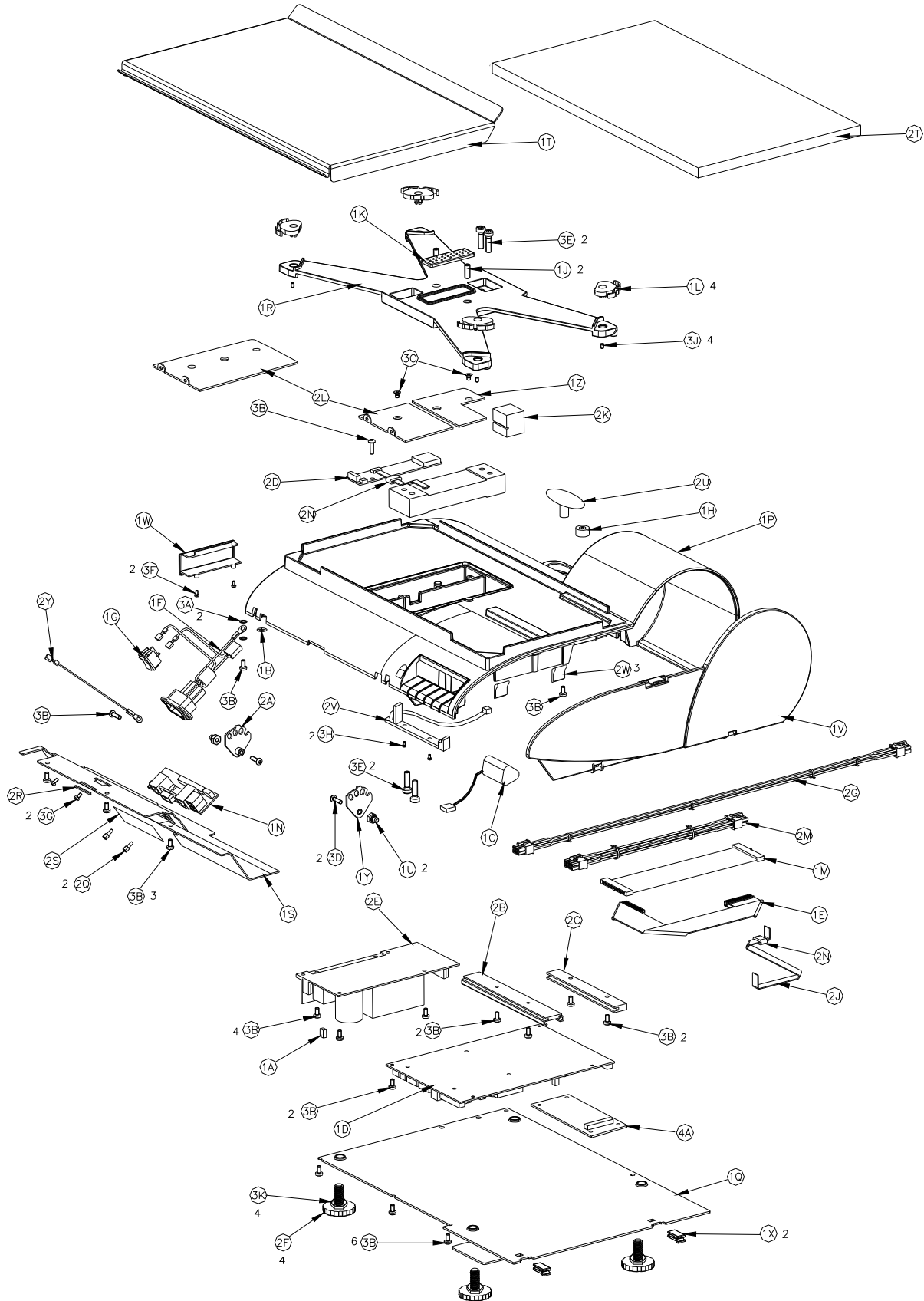


PRINTER

Symbol	MT P/N	CIMF P/N	Description	Qty.	SERVICE ITEM
1A	64065902	64065902	PCB ASSY, PRINTER DRIVER	1	Yes
1B	17024200A	64053097	SENSOR,LABEL GAP	1	Yes
1C	00204210	64062286	HANDLE,PLASTIC,GREEN	1	Yes
1D	00206104		RETAINER,E-CLIP,3mm SHAFT DIN6799	8	
1E	00209043		CLIP, MOTOR MOUNTING	1	Yes
1F	21302949		HOLDER, CABLE TIE, SCREW MTG.	1	Yes
1G	22006051		HARNESS, 28 COND,FLAT FLEX	1	Yes
1H	22006052		ASSY,PRINthead,THERMAL	1	Yes
1J	22009438		ADAPTER,PRINthead	1	Yes
1K	22006055		SHAFT,3 INCH	1	Yes
1L	22006057		ROLLER,PRINTER	1	Yes
1M	72176944		GEAR, DRIVE	2	Yes
1N	72176943		GEAR,19/55,IDLER	3	Yes
1P	22006061		MOTOR,STEPPER	1	Yes
1Q	64055505	64055505	TERMINAL, 1/4" MALE, RT.ANGLE	1	
*1R	22009470		MOTOR,DC,LINER TAKE UP	1	Yes
1S	22006065		LABEL,PAPER PATH	1	
1T	22006066		BEARING,2MM	1	Yes
1U	22006067		PLATE,REAR,PAPER GUIDE	1	Yes
1V	22006068		PLATE,FRONT,PAPER GUIDE	1	Yes
1W	22006069		SCREW,ADJUSTING,PAPER WIDTH	1	Yes
1X	22006070		STANDOFF,RND,F,M4x75,ALUM.	8	Yes
1Y	22006071		PLATE,FRONT,PLATTEN	1	Yes
1Z	22006072		BRACKET,PAPER PATH	1	Yes
2A	22009474		STRIPPER BAR,UC	1	Yes
2B	72176942		GEAR,55,IDLER	2	Yes
2C	00506918		SPRING	1	
2D	22006084		STANDOFF,HEX,M,PLASTIC,PCB	3	
2E	22006087		FRAME,PRINTER	1	Yes
2F	22006088		BEARING,3MM	1	Yes
2G	22006089		SPRING,STOP,REAR	1	Yes
2H	22009469		WASHER,STOP,LABEL ROLL	1	Yes
2J	22006092		CLIP,LOCK,SPRING	1	Yes
2K	22009477		COVER,MOTOR,BLACK VINYL	1	
2L	22006094		GUIDE,SLIDDING,PRINTER MECH.	1	
2M	22010696		FLAP,PRINthead	1	Yes
2N	72181184		ASSY,LINER TAKE-UP	1	Yes
2P	22010697		FLAP, LABEL	1	Yes
2Q	22010698		SHAFT,LABEL FLAP	1	Yes
2R	22009374		LABEL,"NO KNIFE"	1	
2S	22009430		CLIP,GROUNDING,COPER	1	Yes
2T	17156200A	64054326	CLIP, SENSOR MOUNTING	1	Yes
2U	22009420		O-RING	1	
2V	22009929		KNOB, BRASS, M3	1	
2W	22010651		STANDOFF, M3x15, F/F	1	
2X	29210095	29210095	RETAINER,E-CLIP,D5	2	
2Y	22010769		LABEL	1	
3A	22006134		SCREW,TORX PAN HD, M3x4	5	
3B	22006122		SCREW,TORX PAN HD, M4x8	18	
3C	29210129		SCRW, TORX PAN HD, M3x8 BN15857	2	

* Units with Chassis P/N 2717250 & lower must use Motor Kit 22009482.
The Chassis P/N is located on the inside wall of the Chassis next to the Printer

UNIT

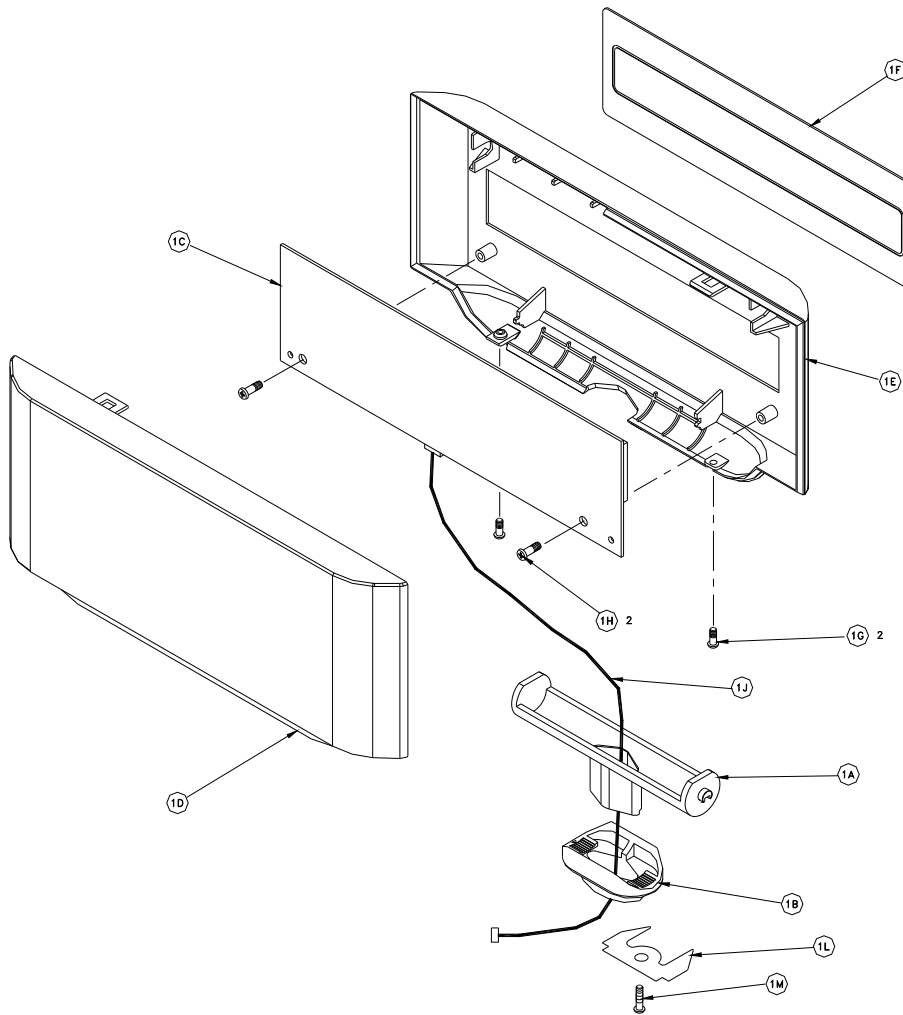


UNIT

Symbol	MT P/N	CIMF P/N	Description	Qty.	Service Item
1A	10906700A		PLUG, JUMPER, 2 PIN, FEMALE	1	Yes
1B	14531400A	64049976	LABEL, GROUND	1	Yes
1C	64070354	64070354	BATTERY,ALKALINE,4.5V,600MAH	1	Yes
1D	64058418	64058418	PCB ASSY, MAIN, 16 BIT	1	Yes
	64058419	64058419	PCB ASSY, MAIN, 32 BIT		
1E	17226700A	64053084	HARNESS, PRINTER, DUAL 13	1	Yes
1F	17017100A	64061816	HARNESS, AC POWER IN	1	Yes
1G	17018400A	64053096	SWITCH, ROCKER, 250V	1	Yes
1H	21203204	64062050	LEVEL,BUBBLE	1	
* 1J	64062148	64062148	SCREW, SET, M6x18, FLAT PT.	2	
* 1K	21203076		PAD, PLATTER	1	
* 1L	21203238		CLIP, SPIDER, PLASTIC	4	
1M	22004715		HARNESS, DUAL 22, RIBBON,(SCALE)(DD W/O IF)	1	
	17168800A	64059203	HARNESS, I/O, 44 PIN (DEAD DECK) (W/IF)	1	
1N	22005437		ASSY, I/O PCB	1	Yes
1P	22010555	64058662	COVER, SCALE, CASTING, UC	1	
1Q	64060722	64060722	PLATE, BOTTOM COVER	1	
* 1R	17351900A		SPIDER, SUB PLATTER	1	Yes
1S	64057663	64057663	COVER, FRONT, CONN.	1	
1T	22006024	22006024	PLATTER, ST.STL	1	
1U	22006034		STANDOFF, PIVOT	2	
1V	22006035	22006035	DOOR, PRINTER	1	
1W	22006036		COVER, NO-RADIO	1	
1X	22006043	22006043	HINGE, PRINTER DOOR	2	
1Y	22006046		PLATE, PIVOIT RIGHT SIDE	1	
1Z	22006047		PLATE, COVER, LOADCELL (NON DD)	1	Yes
2A	22006048		PLATE, PIVOT, LEFT SIDE	1	
2B	22006085		BRACKET, PRINTER GUIDE	1	
2C	22006086		GUIDE, PRINTER TRACK, NYLON	1	
2D	42101393	64057710	LOAD CELL ASSEMBLY W/PCB, (SCALE)	1	Yes
	17177100A	64056868	PCB ASSY, LOAD CELL , (DEAD DECK)	1	
2E	22006146	22006146	POWER SUPPLY ASSY	1	Yes
2F	22018503		FOOT, M10 HEX	4	Yes
2G	22006217		HARNESS, DC OUT, PRINTER	1	Yes
2H	22007509		SPACER, 4mm IDX 4mm HGT X 8mm OD	1	
2J	22007783		HARN, 10 POS, FLAT FELX, LOADCELL	1	Yes
2K	22007878		PAD, FOAM, LOAD CELL	1	
2L	22007898		PLATE, COVER, SECURITY, L/C	1	Yes
	22009928	64062261	PLATE, COVER, L/C, DEAD DECK	1	
2M	22008220		HARNESS, DC OUT, MAIN PCB	1	Yes
2N	22008369		FERRITE BEAD, FLAT FLEX CABLE.	2	
2P					
2Q	15167200A		STANDOFF,M/F,4-40X.18	2	Yes
2R	0272182302		GROMMET, POLYETHYLENE	1.25"	
2S	17103500A		LABEL, OUTPUT, HOST PORT, SCALE,DD W/O IF	1	
	17175900A		LABEL, OUTPUT, HOST PORT, DD W/IF		
2T	22010197	64062262	PLATTER, COVER, DEAD DECK	1	
2U	29268631	29268631	COVER, HOLE, TOWER	1	
2V	64057101	64057101	SENSOR ASSY, TAKE LABEL	1	
2W	14665400A	68003179	CABLE CLIPS, FLAT WIRE	2	
2Y	64056451	64056451	WIRE, GROUND	1	
3A	R00589130		LOCKWASHER, NO. 8, INT.TOOTH	3	Yes
3B	22001568		SCREW, TORX PAN HD, M4 X 8	23	
3C	22003002		SCREW, TORX FLAT HD, M4 X 14	2	
3D	22007877		SCREW, TORX PAN HD, M4 X 14	1	
3E	22007952		SCREW, TORX SOC HD CAP, M6 X 20	4	Yes
3F	22006037		SCREW, TORX PAN HD, M3.5 X 6, PLAST	2	
3G	R0520700A	68003913	SCREW, PH PAN HD, M3 X 6, ZINC STL.	2	
3H	64065383	64065383	SCREW, PAN HD POZID, M3X6,THREAD FORM	2	
*3J	22007541		SCREW, SET, M6X8, DIN 913	4	
3K	82708200A	64049677	NUT, JAM M10, ST.STL, DIN 439B	4	
4A	16986900A	64053094	MEMORY CARD, 4 MEG	1	Yes
	17080900A	64056902	MEMORY CARD, 8 MEG	1	Yes

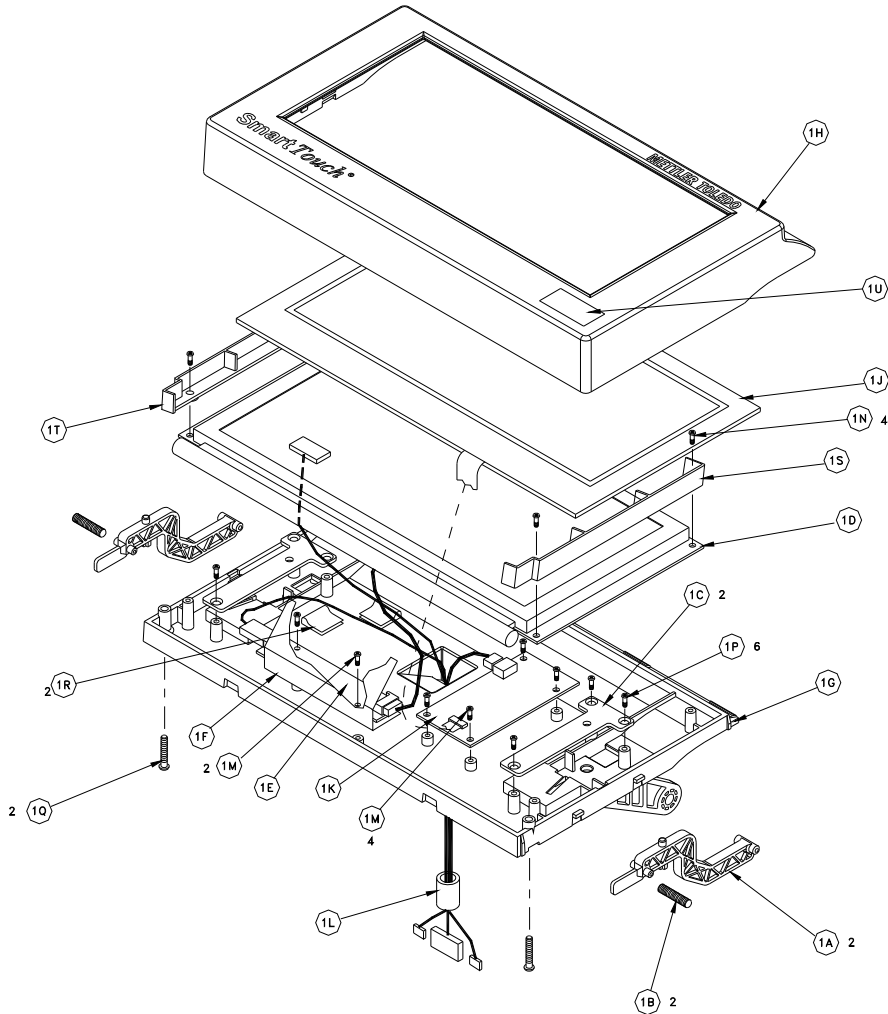
* Part of Assembly 64056704

CUSTOMER TOWER



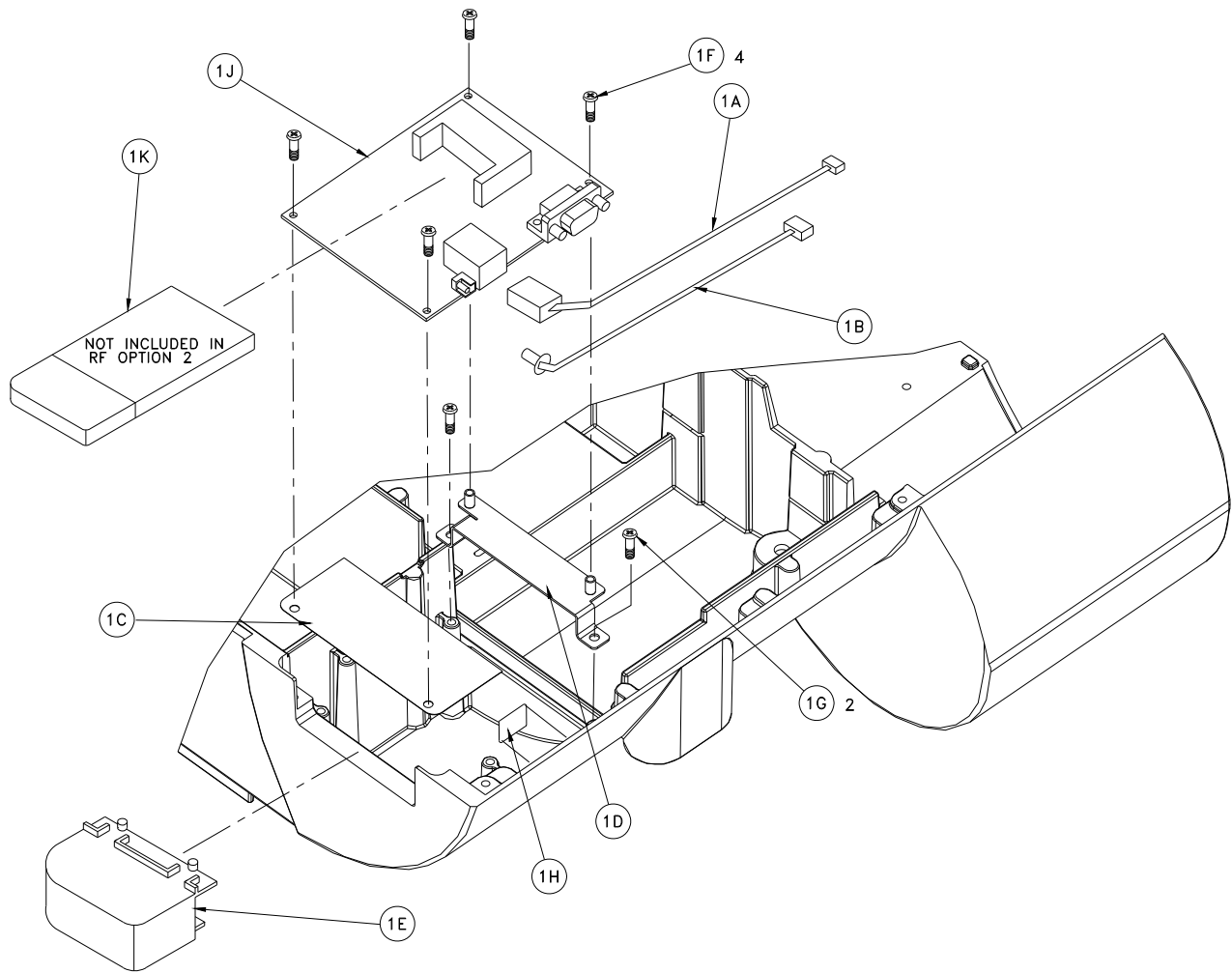
Symbol	MT P/N	CIMF P/N	Description	Qty.	SERVICE ITEM
1A	22006016		PIVOT, CUSTOMER DISPLAY	1	Yes
1B	22006023		NECK, CUSTOMER DISPLAY	1	Yes
1C	15969400A	64054403	PCB ASSY, DISPLAY	1	Yes
1D	16978700A	64053089	HOUSING, CUST. DISP, NO WINDOW	1	Yes
1E	16978800A	64053090	HOUSING, CUST. DISP. W/WINDOW	1	Yes
1F	64056515	64056515	LENS, ENGLISH, 30 LB	1	Yes
	64056799	64056799	LENS, SPANISH, 15 KG		
	64056800	64056800	LENS, ENGLISH, 15KG		
	64056801	64056801	LENS, FRENCH, 15 KG		
	64056802	64056802	LENS, SPANISH, 30 LB		
	64058781	64058781	LENS, FRENCH, 6/15 KG		
	64058782	64058782	LENS, ENGLISH, 6/15 KG		
1G	R01762130	64054302	SCREW, #4x3/16, PLASTITE	2	Yes
1H	R0349500A	68003891	SCREW, #6x5/8, PLASTITE	2	
1J	16981400A	64057040	HARNESS, CUSTOMER DISPLAY	1	Yes
1L	64057822	64057822	PLATE, TOWER MTG.	1	
1M	22006039		SCREW, M5x14, PLASTITE	1	

TOUCHSCREEN



Symbol	MT P/N	CIMF P/N	Description	Qty.
1A	22010684		LEVER, LATCH	2
1B	22006040		SPRING, LATCH	2
1C	22007876		PLATE, LATCH RETAINER	2
1D	64055780	64055780	DISP. MOD, LCD	1
1E	14214600A	68002203	POWER SUPPLY, INVERTER	1
1F	14247700A	64063802	INSULATOR ASSY, INVERTER	1
1G	16975100A	64053086	HOUSING, TOUCHSCREEN, BOTTOM	1
1H	16975200A	64053087	HOUSING, TOUCHSCREEN, TOP	1
1J	64064754	64064429	TOUCHSCREEN	1
1K	64055549	64055549	PCB ASSY, RS232 CONTROLLER, 4 WIRE	1
1L	16982800A	64061725	HARNESS, LCD DISPLAY	1
1M	R01762130	64054302	SCREW, #4x3/16 PLASTITE	6
1N	R0503500A	64053098	SCREW, M3x8, PLASTITE, SS	4
1P	22006037		SCREW, TORX PAN HD, 3.5x6	6
1Q	22006038		SCREW, TORX PAN HD, M3.5x25	2
1R	14665400A	68003179	CABLE CLAMP, FLAT, STICK-ON	1
1S	64060583	64060583	LOCATOR, TOUCHSCREEN, RIGHT	1
1T	64060597	64060597	LOCATOR, TOUCHSCREEN, LEFT	1
1U	64056516	64056516	LABEL, CAPACITY, 50LB/20KG, ENGLISH	1
	64056313	64056313	LABEL, CAPACITY, 30 LB, ENGLISH	
	64057520	64057520	LABEL, CAPACITY, 30LB/15KG, ENG/SPANISH	
	64057521	64057521	LABEL, CAPACITY, 50LB/20KG, ENG/SPANISH	
	64057522	64057522	LABEL, CAPACITY, 30LB/15KG, ENG/FRENCH	
	64057523	64057523	LABEL, CAPACITY, 50LB/20KG, ENG/FRENCH	

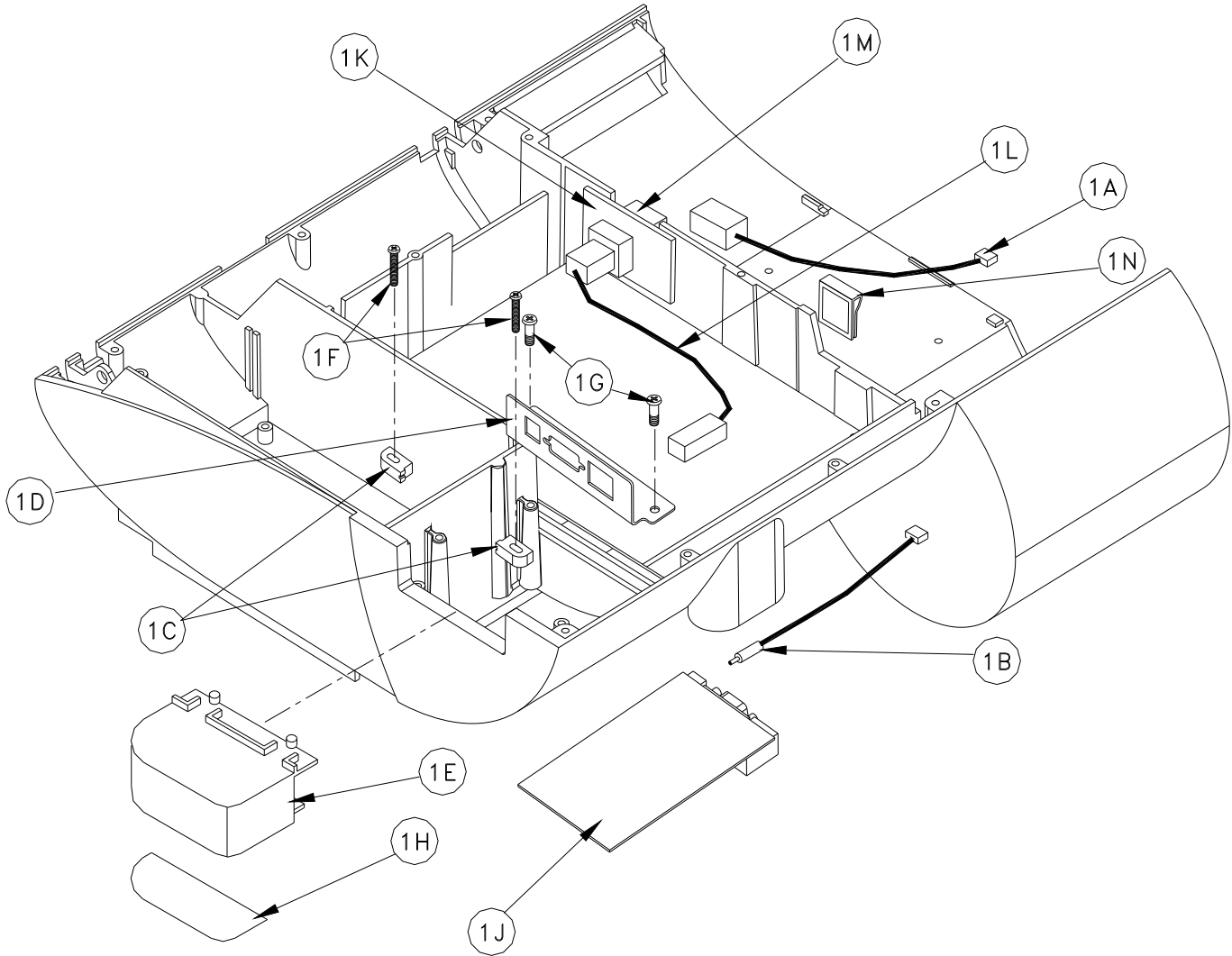
RF OPTION 2,3, or 4 (CB1000)



Symbol	MT P/N	CIMF P/N	Description	Qty.	SERVICE ITEM
1A	16982300A	64053093	HARNESS, ETERNET CROSSOVER	1	Yes
1B	17079500A	64055051	HARNESS, RF POWER ADAPTER	1	Yes
1C	17000300A	64053095	INSULATOR, RF BD	1	Yes
1D	17059800A	64053099	BRACKET, RF BD.	1	Yes
1E	22008013	22008013	COVER, ANTENNA	1	Yes
1F	R0520700A	68003913	SCREW, PAN HD, M3x6, ZINC, STL	4	Yes
1G	22001568		SCREW, TORX PAN HD, M4x8	2	Yes
1H	12281100A	68008591	INSULATOR, STICK ON, BLACK	1	Yes
1J	*16091900A	64041807	MODULE,PCMCIA (RF OPTION 2)	1	Yes
	16368400A		MODULE, BRIDGE,(RF OPTION 3 & 4)		Yes
1K	16368300A		RADIO, 11MB, (OPTION 3)	1	
	16323400A	64055532	RADIO, 2 MB (OPTION 4)		

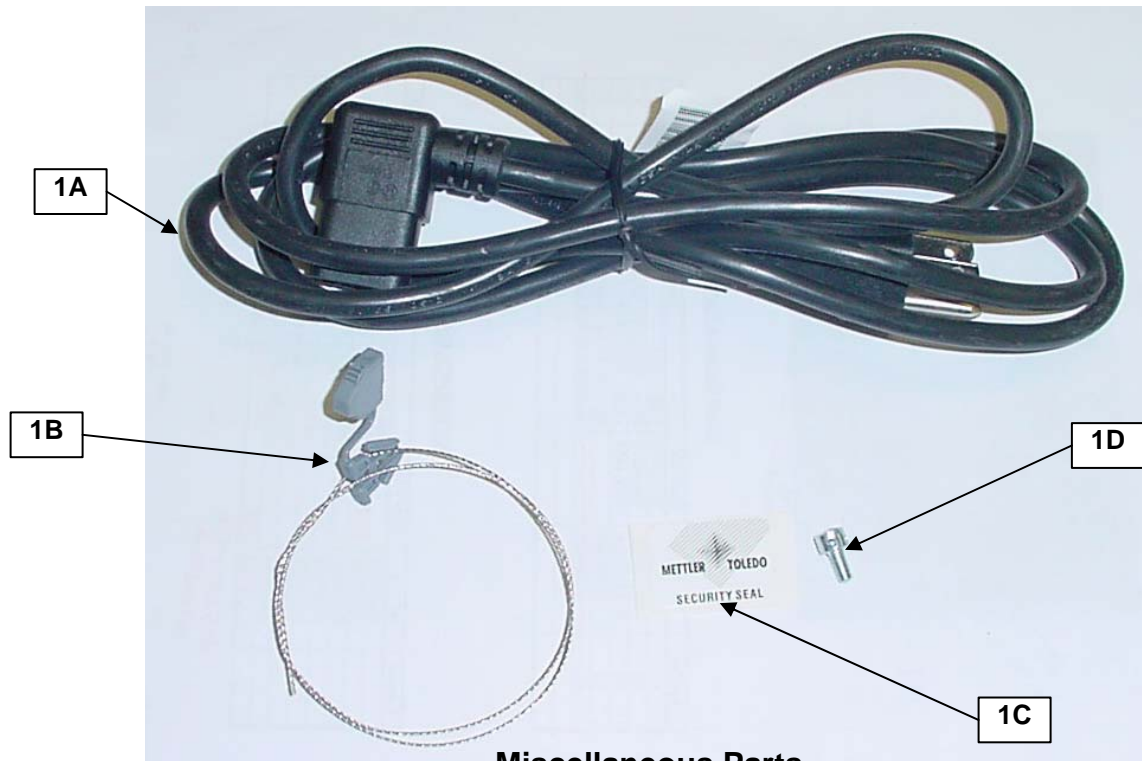
* RF OPTION 2 DOES NOT INCLUDE A RADIO

RF OPTION 1 (WGB3)



Symbol	MT P/N	CIMF P/N	Description	Qty.	SERVICE ITEM
1A	16982300A	64053093	HARNESS, ETERNET CROSSOVER	1	Yes
1B	17222200A	64055883	HARNESS, RF POWER ADAPTER	1	Yes
1C	17218300A	64058779	SUPPORT, PCB	2	Yes
1D	64060671	64060671	BRACKET, RF BD CB3000	1	Yes
1E	22008013	22008013	COVER, ANTENNA	1	Yes
1F	R0408500A		SCREW, PAN HD, M3x12, ZINC, STL	2	Yes
1G	22001568		SCREW, TORX PAN HD, M4x8	2	Yes
1H	17217600A	64055468	LABEL, LED	1	Yes
1J	17221100A	64055787	RADIO, WIRELESS BRIDGE, 802.11A/B	1	Yes
1K	64065146	64065146	PLATE, CONN.MTG	1	Yes
1L	16193100A	64042152	HARNESS, ENET PATCH,12"	1	Yes
1M	15286700A	64049026	CONN, PHONE, JACK, 8POS, RT ANGLE	1	Yes
1N	14665400A	68003179	CABLE CLAMP, STICK ON	1	Yes

Miscellaneous Parts



Miscellaneous Parts

Symbol	MT P/N	CIMF P/N	Description	Qty.
1A	10944500A	68000716	LINE CORD	1
1B	16574100A	64046278	SEAL, SECURITY, GRAY, 14"	1
1C	B12363300A	68001451	LABEL, SECURITY SEAL	1
1D	00209907		SCREW, FIL HD, M4X8 HD DRILLED.	1

REFERENCE MATERIAL

Symbol	MT P/N	CIMF P/N	Description	Qty.
	64056467	64056467	MANUAL, USER'S GUIDE, ENGLISH,32 BIT	
	64056469	64056469	MANUAL, SERVICE, UC-ST, ENGLISH	
	64057055	64057055	MANUAL, SERVICE, SPANISH	
	64057056	64057056	MANUAL, SERVICE, FRENCH	
	64057057	64057057	MANUAL, USER'S GUIDE, SPANISH	
	64057058	64057058	MANUAL, USER'S GUIDE, FRENCH	
	64056470	64056470	MANUAL, USERS GUIDE, STEM, ENGLISH	
	A15203400A		MANUAL, USERS GUIDE, STEM, SPANISH	
	16101800A	64062687	MANUAL, USERS GUIDE, STEM, FRENCH	