


METTLER TOLEDO

Model

702

Standalone

Bottom

Applicator

User's Guide

©Mettler-Toledo, Inc. 1999

No part of this manual may be reproduced or transmitted in any form or by any means, electronic or mechanical, including photocopying and recording, for any purpose without the express written permission of Mettler-Toledo, Inc.

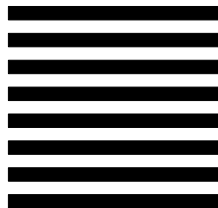
U.S. Government Restricted Rights: This documentation is furnished with Restricted Rights.

FOLD THIS FLAP FIRST



NO POSTAGE
NECESSARY IF
MAILED IN THE
UNITED STATES

BUSINESS REPLY MAIL
FIRST CLASS PERMIT NO. 414 COLUMBUS, OH



POSTAGE WILL BE PAID BY ADDRESSEE

Mettler-Toledo, Inc.
Retail Quality Manager - MTWR
P.O. Box 1705
Columbus, OH 43216
USA



Please seal with tape.

METTLER TOLEDO

Publication Revision History

An overview of this manual's revision history is compiled below.

Publication Name: METTLER TOLEDO Model 702 Standalone User's Guide

Publication Part Number: 15693500A Publication Date: 3/99

Part Number	Date	Revisions
15693500A	3/99	New Manual.

FCC Notice

This device complies with Part 15 of the FCC Rules and the Radio Interference Requirements of the Canadian Department of Communications. Operation is subject to the following conditions: (1) this device may not cause harmful interference, and (2) this device must accept any interference received, including interference that may cause undesired operation.

This equipment has been tested and found to comply with the limits for a Class A digital device, pursuant to Part 15 of FCC Rules. These limits are designed to provide reasonable protection against harmful interference when the equipment is operated in a commercial environment. This equipment generates, uses, and can radiate radio frequency energy and, if not installed and used in accordance with the instruction manual, may cause harmful interference to radio communications. Operation of this equipment in a residential area is likely to cause harmful interference in which case the user will be required to correct the interference at his own expense.

**METTLER TOLEDO RESERVES THE RIGHT TO MAKE REFINEMENTS OR
CHANGES WITHOUT NOTICE.**

PRECAUTIONS

READ this manual before operating this equipment. Save this manual for future reference.

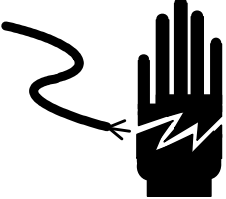

Be sure machine is connected to a properly grounded outlet of the correct voltage and amperage as specified on the data plate. **DO NOT USE ADAPTERS OR EXTENSION CORDS THAT BYPASS THE GROUNDING.**

DO NOT allow untrained personnel to operate, clean, maintain, or service this equipment.

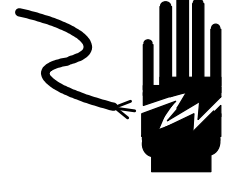

ALWAYS DISCONNECT THIS EQUIPMENT from the power source before cleaning or performing operator maintenance.


DO NOT USE solvents or commercial cleaners on this unit. **DO NOT SPRAY** liquids directly on the unit. See Chapter 3 for cleaning instructions

CALL YOUR LOCAL METTLER TOLEDO OFFICE for parts, information, and service.

	 WARNING
	ONLY PERMIT QUALIFIED PERSONNEL TO SERVICE THIS EQUIPMENT. EXERCISE CARE WHEN MAKING CHECKS, TESTS AND ADJUSTMENTS THAT MUST BE MADE WITH POWER ON. FAILING TO OBSERVE THESE PRECAUTIONS CAN RESULT IN BODILY HARM.

	 WARNING
	FOR CONTINUED PROTECTION AGAINST SHOCK HAZARD CONNECT TO PROPERLY GROUNDED OUTLET ONLY. DO NOT REMOVE THE GROUND PRONG.

	 WARNING
	DISCONNECT ALL POWER TO THIS UNIT BEFORE INSTALLING, SERVICING, CLEANING, OR REMOVING THE FUSE. FAILURE TO DO SO COULD RESULT IN BODILY HARM AND/OR PROPERTY DAMAGE.

 CAUTION	
BEFORE CONNECTING/DISCONNECTING ANY INTERNAL ELECTRONIC COMPONENTS OR INTERCONNECTING WIRING BETWEEN ELECTRONIC EQUIPMENT ALWAYS REMOVE POWER AND WAIT AT LEAST THIRTY (30) SECONDS BEFORE ANY CONNECTIONS OR DISCONNECTIONS ARE MADE. FAILURE TO OBSERVE THESE PRECAUTIONS COULD RESULT IN DAMAGE TO OR DESTRUCTION OF THE EQUIPMENT OR BODILY HARM.	

 CAUTION	
OBSERVE PRECAUTIONS FOR HANDLING ELECTROSTATIC SENSITIVE DEVICES.	

CONTENTS

1	Introduction	1-1
2	Operating Instructions	2-1
	Loading Labels.....	2-1
	Power Switches.....	2-2
	General Operation	2-2
3	Cleaning and Maintenance	3-1
4	Before Calling for Service	4-1

1

Introduction

The METTLER TOLEDO® Model 702 Standalone Bottom Applicator is designed for use with METTLER TOLEDO® Model 602 automatic labeler to apply a variety of merchandising, information, and security labels to the bottom surface of a film-wrapped tray.

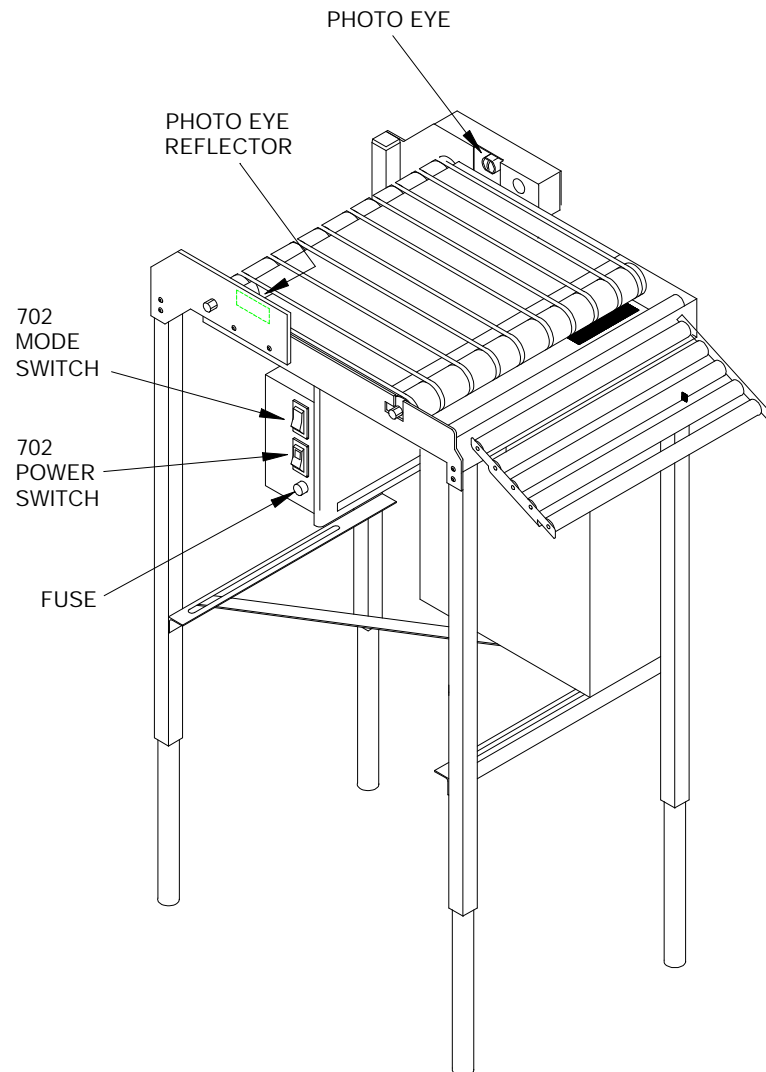


Figure 1-1: Model 702 Standalone Bottom Applicator



2

Operating Instructions

Loading Labels

Refer to the Label Threading Diagram below (also located on the door) to load labels in the Model 702.

- Insert the label roll on the Supply Spool so the labels are pulled off counter-clockwise.
- Insert the labels into the Label Guide.
- Peel off about 12 inches of labels, then route the liner under the Guide Pin.
- Remove the Clip Retainer from the Take Up Spool, wind the liner on the spool clockwise, then secure the liner with the Retainer Clip.

Refer to the notes at the left for proper storage and operation of the labels in the Model 702.

The labels must be dry for proper operation in the Model 702. The labels must be stored in a cool and dry location away from high humidity and condensation.

The Model 702 is designed to operate in ambient temperatures between 40°F and 104°F (4°C to 40°C) with a relative humidity between 10% and 95%, non-condensing.

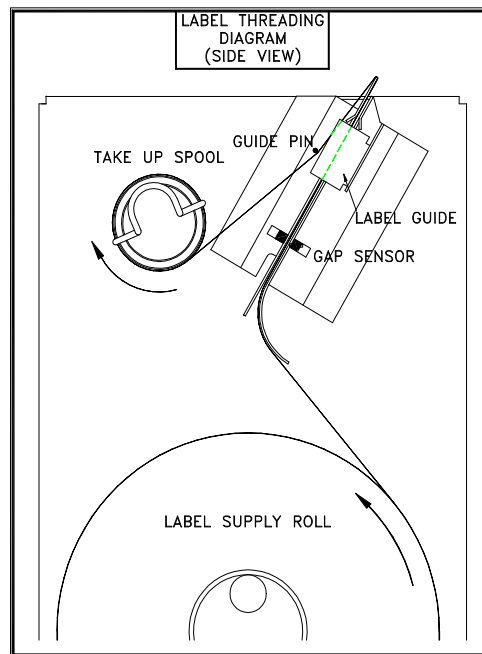
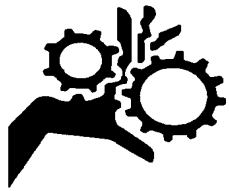



Figure 2-1: Label Threading Diagram

Power Switch

	 WARNING
	Keep hands clear of all the machines during powerup. Some will run a self-test. During the self-tests, Infeed Belts are in motion and other motors are running. Do not place materials on the belts during this test. Keep hands clear of the machine during the test.

Press on the top of the Power Switch and the red light will turn on (Figure 1-1) indicating the Model 702 power is on.

General Operation

The Mode Switch selects the operation of the Model 702 to "APPLY" or "CONVEY". When the mode switch is set to **CONVEY**, no bottom label will be applied. When the mode switch is set to **APPLY**, a label is applied to every package. No overrides are available.

When set to **APPLY** mode, packages are detected by a photoeye which will activate the label feed and the Model 702 will dispense a label to the pickup position. As the conveyor moves the package over the label, it will stick to the film.

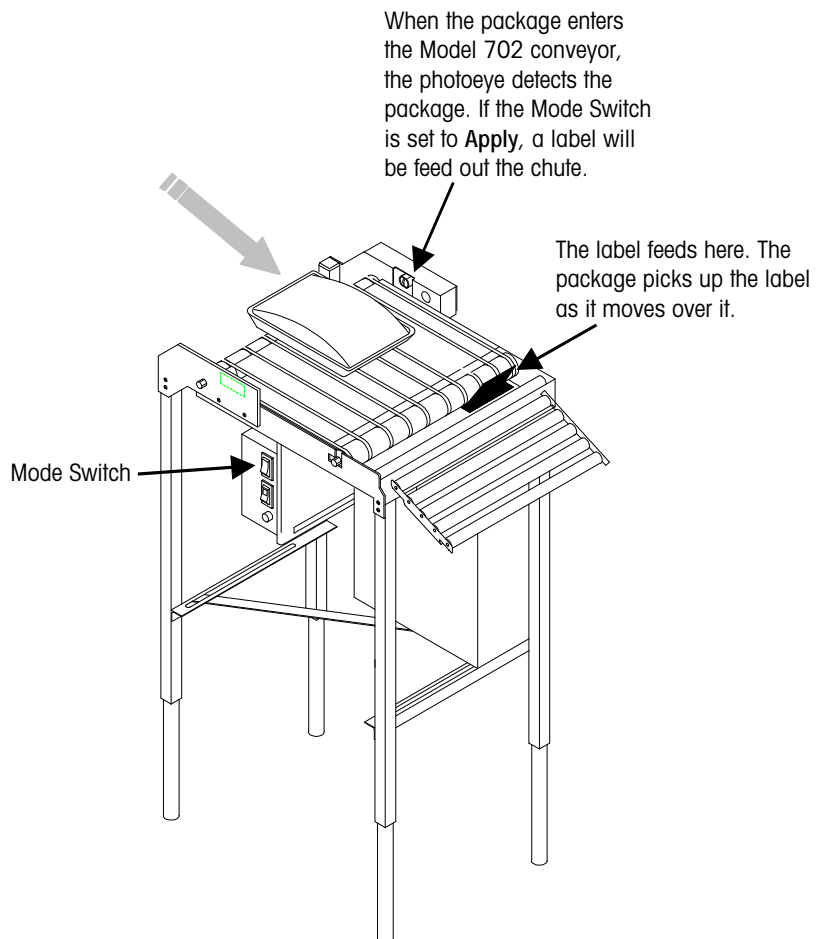
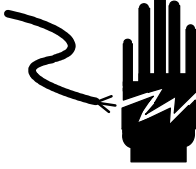



Figure 2-4-: Label Application

3

Cleaning and Maintenance

Cleaning and regular maintenance of your Model 702 will prolong the life of the unit and contribute to the ease of operation.

	 WARNING
	DISCONNECT ALL POWER TO THIS UNIT BEFORE INSTALLING, SERVICING, CLEANING, OR REMOVING THE FUSE. FAILURE TO DO SO COULD RESULT IN BODILY HARM AND/OR PROPERTY DAMAGE.

Disconnect power by pressing the power switch on the Model 702 to OFF, and then unplug the line cord from the AC outlet before any cleaning or maintenance of this unit. Use a clean cloth dampened with warm water to wipe the exterior surfaces. Do not spray liquids directly on the unit. Do not use solvents or cleaners on the unit.

Use a clean, damp cloth to wipe the dirt and grime off the belts and surfaces of the Model 702. Remove any stray labels that may have fallen on the machine.

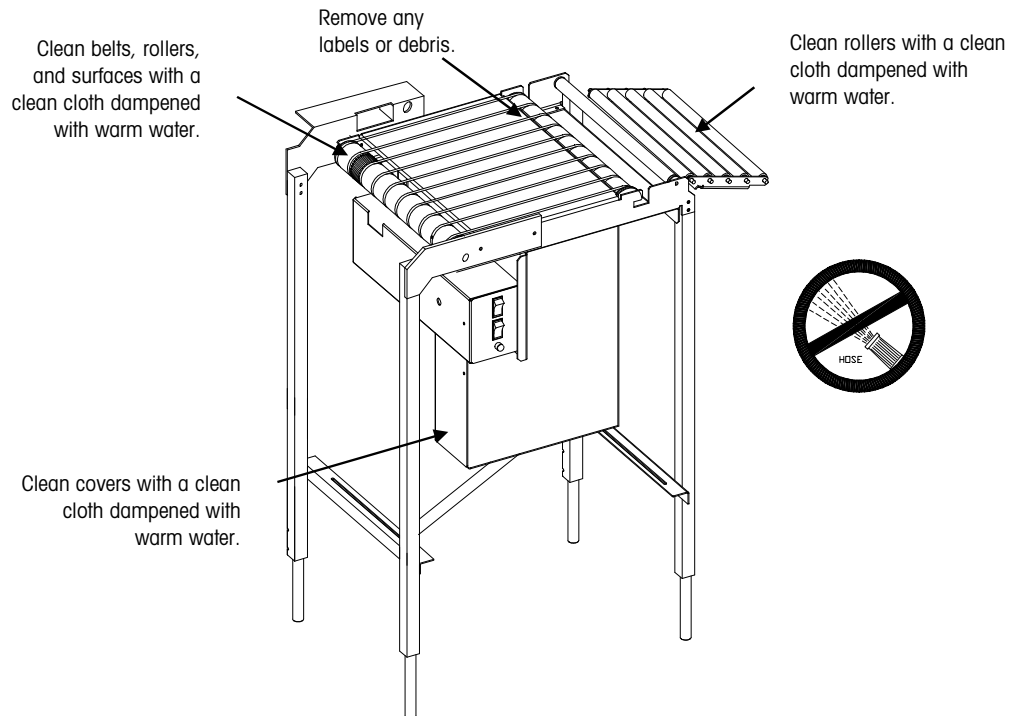


Figure 3-1: Cleaning the Model 702



4

Before Calling for Service

Before calling for service, please check the following:

- Is the power cord connected to a properly grounded outlet?
- Are the circuit breakers in store service panels in the "ON" position?
- Has the Model 702 power switch been turned OFF and then back ON?



METTLER TOLEDO

Publication Problem Report

If you find a problem with our documentation, please complete and fax this form to (614) 438-4355

Publication Name: METTLER TOLEDO Model 702 Standalone User's Guide_____

Publication Part Number: 15693500A_____ Publication Date: 3/99_____

PROBLEM(S) TYPE:	DESCRIBE PROBLEM(S):	INTERNAL USE ONLY
<input type="checkbox"/> Technical Accuracy	<input type="checkbox"/> Text <input type="checkbox"/> Illustration	
<input type="checkbox"/> Completeness What information is missing?	<input type="checkbox"/> Procedure/step <input type="checkbox"/> Illustration <input type="checkbox"/> Definition <input type="checkbox"/> Example <input type="checkbox"/> Guideline <input type="checkbox"/> Feature <input type="checkbox"/> Explanation <input type="checkbox"/> Other (please explain below)	<input type="checkbox"/> Info. in manual <input type="checkbox"/> Info. not in manual
<input type="checkbox"/> Clarity What is not clear?		
<input type="checkbox"/> Sequence What is not in the right order?		
<input type="checkbox"/> Other Comments Use another sheet for additional comments.		

Your Name: _____ Location: _____

Phone Number: (____) _____

Fax this completed form to MTWR at (614) 438-4355

METTLER TOLEDO
Scales & Systems
1900 Polaris Parkway
Columbus, OH 43240

P/N: 15693500A

(3/99)

METTLER TOLEDO® and SOLO® are registered trademarks of Mettler-Toledo, Inc.
METTLER TOLEDO® y SOLO® son Marcas Registradas de Mettler-Toledo, Inc.
©1999 Mettler-Toledo, Inc.
Printed in U.S.A.



15693500A