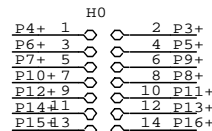
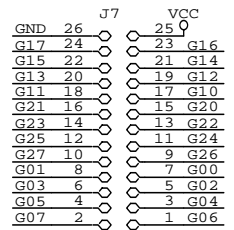
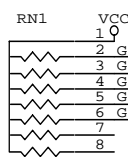
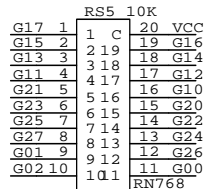
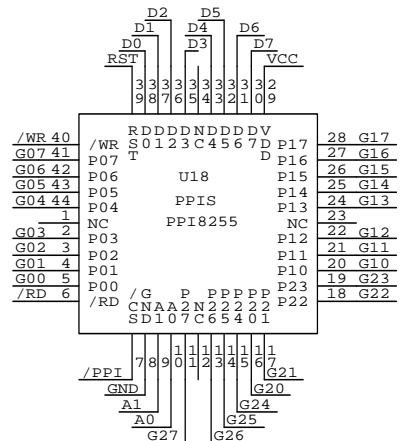
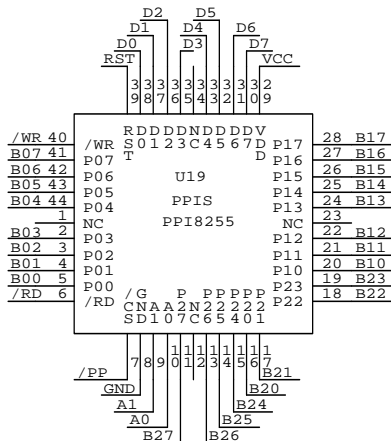
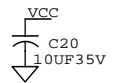


HDRD34
HDRD34



HDRD14
HDRD14



HDRD26
HDRD26

Title		
OPTO ISOLATOR FOR MOTIONC		
Size	Document Number	REV
B	MCP1.2	
Date:	January 8, 2004	Sheet 1 of 1