

Interface Board

PN 45312

IQ plus 510 and 710 indicators using the Revision 1 indicator CPU board are equipped with an interface board to consolidate cable connections to external devices. The interface board (see Figure 1) provides a connection point for load cells, digital I/O, and serial communications, and routes these signals to and from the CPU board, shown in Figure 2 on page 2.

Connectors J1—J5 each plug into a header on the interface board. To attach cables, remove the connector, insert wires, tighten the set screws, then press the connector back onto the header.

Table 1 lists the load cell connections for connector J5; Table 2 on page 2 lists the serial communications and digital I/O connections for connectors J1—J4.

See Section 2.0 of the IQ plus 510 or IQ plus 710 *Installation Manual* for more information.

Caution Use a wrist strap to ground yourself and protect components from electrostatic discharge (ESD) when working inside the indicator enclosure.

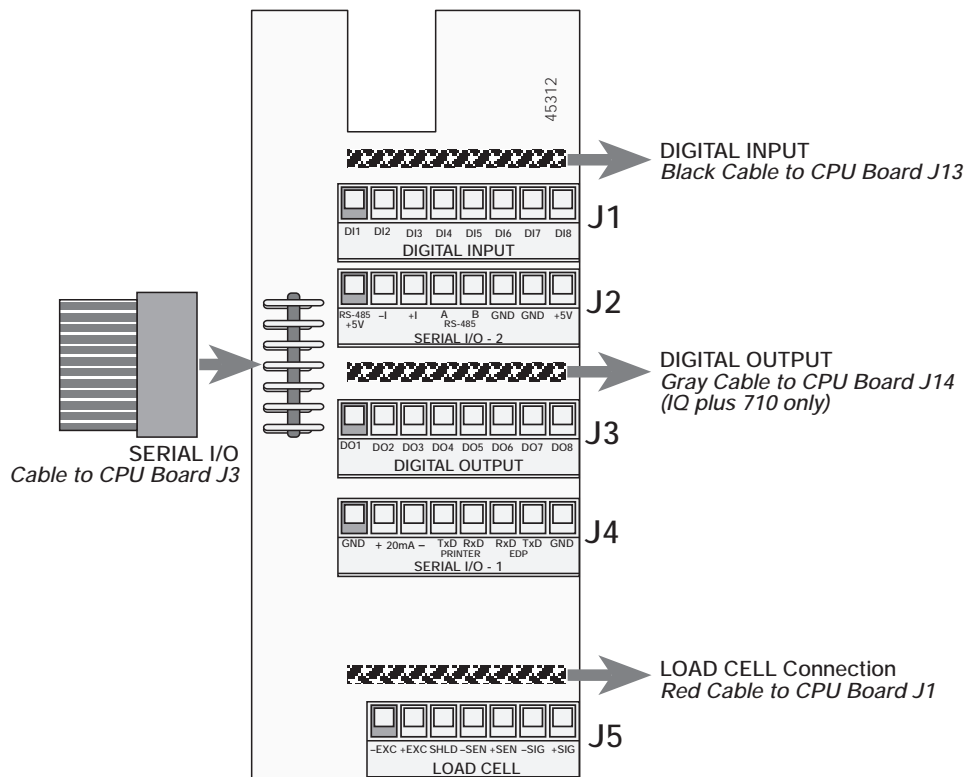


Figure 1. IQ plus 510/710 Interface Board

Load Cell Wiring (Connector J5)

J5 Connector Pin Number						
1	2	3	4	5	6	7
-EXC	+EXC	SHIELD	-SENSE	+SENSE	-SIG	+SIG

Table 1. Pin Assignments for Load Cell Connector (J5)

NOTE: If using 6-wire load cell cable (with sense wires), remove jumpers JP1 and JP2 on the CPU board (see Figure 2) before reinstalling the J5 load cell header. For 4-wire installation, leave jumpers JP1 and JP2 on.

Serial Communications and Digital I/O Wiring (Connectors J1—J4)

Interface Board Connector		Connector Pin Number							
		1	2	3	4	5	6	7	8
J1	Digital Input	DI1	DI2	DI3	DI4	DI5	DI6	DI7	DI8
J2	Serial I/O-2	RS485/+5V	-I	+I	RS485/A	RS485/B	GND	GND	+5V
J3	Digital Output	DO1	DO2	DO3	DO4	DO5	DO6	DO7	DO8
J4	Serial I/O-1	GND	+20 mA	-20 mA	PRT/TxD	PRT/RxD	EDP/RxD	EDP/TxD	GND

Table 2. Pin Assignments for Connectors J1—J4

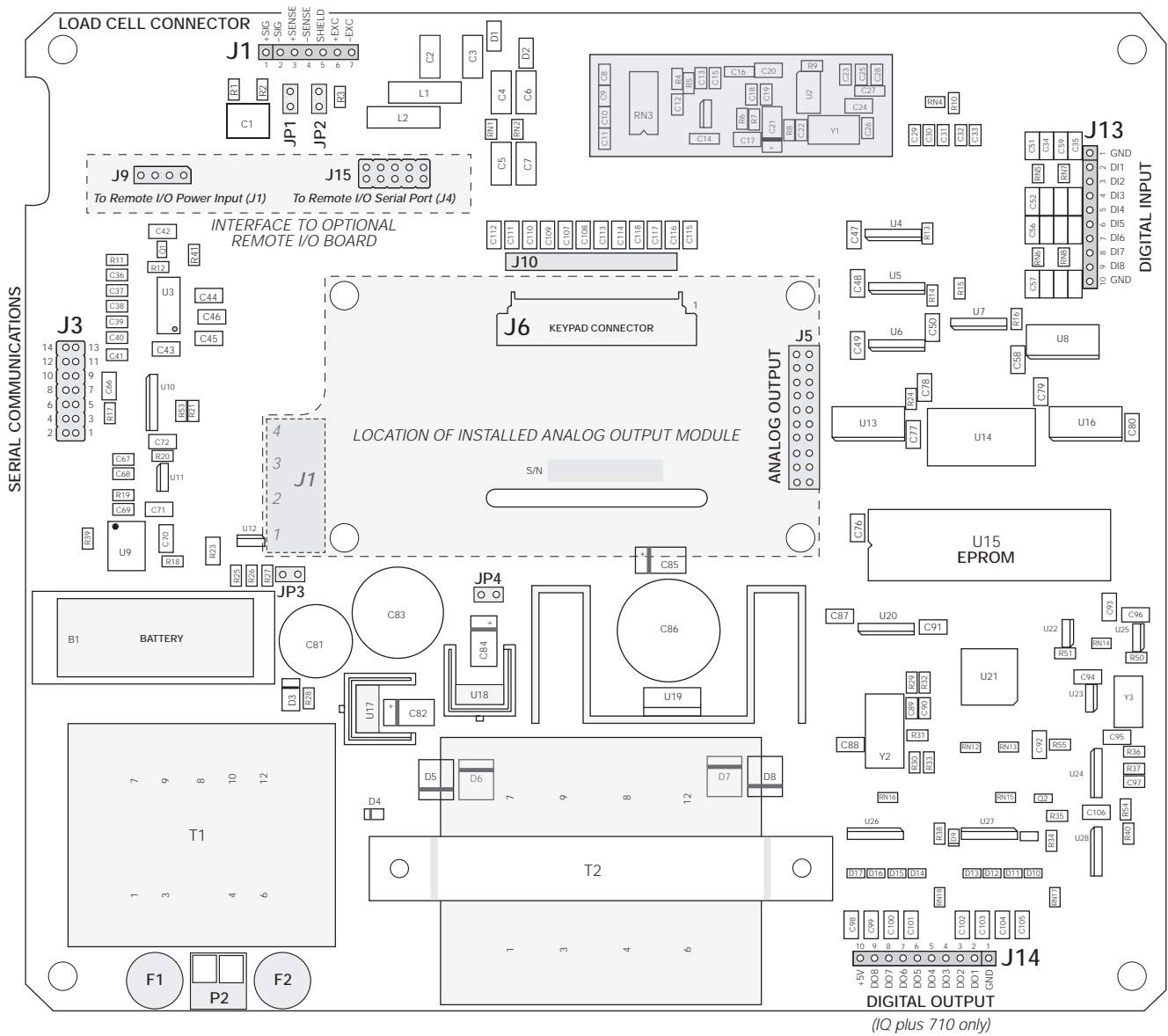


Figure 2. IQ plus 510/710 CPU Board, Revision 1