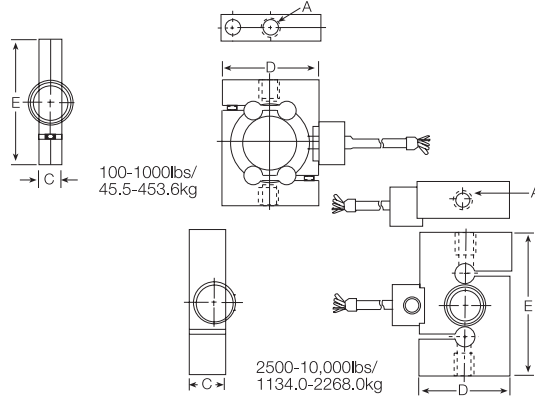


BSP S-Beam, Stainless Steel Welded Seal, IP67, NTEP 1:10,000 Class III Single Cell



SPECIFICATIONS:

- Full Scale Output: 3.0 mV/V
- Bridge Resistance: 350 ohms, nominal
- Material/Finish: Stainless steel
- Temperature: Operating range: -65°F to 200°F/-54°C to 93°C
Compensated range: 14°F to 104°F/-10°C to 40°C
- Manufacturer: BSP-D3-XX-30P5 (Non-NTEP)
- Model Number: BSP-B10-XX-30P5 (NTEP)
- Safe Overload: 150% Full Scale
- Rated Excitation: 10V AC/DC (15V maximum)
- Combined Error: 0.03% Full Scale
- Non Repeatability: 0.01% Full Scale
- Insulation Resistance: 5000 megohms
- Seal Type: Welded seal, IP67
- Cable Length: 30'/9.2m
- Cable Color Code: Green ... + Excitation
Black - Excitation
White + Signal
Red - Signal
- Warranty: 3 years

RATED CAPACITY

DIMENSIONS

	A	C	D	E
lb/inches				
100-250	3/8-24 UNF-3B	.94	2.48	3.32
500	1/2-20 UNF-3B	.71	2.44	3.50
1000	1/2-20 UNF-3B	.71	2.94	3.50
2500	1/2-20 UNF-3B	.95	2.44	3.75
5000-10,000	1-14 UNS-3B	1.44	2.44	4.75
kg/millimeters				
45.4-113.4	3/8-24 UNF-3B	23.9	63.0	84.3
226.8	1/2-20 UNF-3B	18.0	62.0	88.9
453.6	1/2-20 UNF-3B	18.0	74.7	88.9
1134.0	1/2-20 UNF-3B	24.1	62.0	95.3
2268.0-4535.9	1-14 UNS-3B	36.6	62.0	120.7

BSP ORDER INFORMATION

Load Rating	Part #	Suggested List Price
100 lb (45.4 kg)	21447	\$495.00
250 lb (113.4 kg)	21448	\$495.00
500 lb (226.8 kg)	21449	\$495.00
1000 lb (453.6 kg)	21450	\$495.00
2500 lb (1134.0 kg)	21451	\$660.00
5000 lb (2268.0 kg)	21452	\$660.00

Non-NTEP cells:
10,000 lb (4535.9 kg) 17032 \$660.00

WEIGH MODULE AVAILABLE

Model	Page #
ITCM Isolated Tension Cell Mount	24-29, or 335

