

## S-Beams



**STC, Low-Capacity, Alloy Steel** ..... Page 176

Ideally suited for batching and filling, conveyor and hopper/tank weighing. Nickel plated, high-alloy steel construction. Capacities from 50 to 200 lb (22.7 to 90.7 kg). Complete with 10' (3.1m) of load cell cable.



**STC, Alloy Steel** ..... Page 177

Ideally suited for batching and filling and hopper/tank weighing. Nickel plated, alloy steel construction. Capacities from 250 to 40,000 lb (113.4 to 18,144 kg). Complete with 20' (6.1m) of load cell cable.



**STC SS, Stainless Steel** ..... Page 178

The Celtron STC has been a popular industry S-beam for 79some time, and for the first time is available in a stainless steel version. This high-quality product is ideal for tension applications, and provides the additional protection of being manufactured from stainless. Capacities from 200 to 10,000 lb (90.7 to 4535.9 kg). Each unit is provided with a standard 20' (6.1m) cable.



## Single-Ended Beams



**SQB, Alloy Steel** ..... Page 179

Single-ended beam designed for low-profile scales and platform, hopper and tank weighing applications. NTEP-certified cells in capacities from 1000 to 10,000 lb (453.6 to 4535.9 kg); Non-NTEP cells from 500 to 20,000 lb (226.8 to 9071.9 kg). Complete with 20' (6.1m) of load cell cable.



**MBB, Alloy Steel** ..... Page 180

Ultra-small load cell designed for bench, platform, tank and conveyor weighing applications. Nickel plated and environmentally protected with a stainless steel side plate. Capacities from 50 to 250 lb (22.7 to 113.4 kg). Complete with 3' (0.9m) of load cell cable.



## Double-Ended Beams



**CSB, Alloy Steel** ..... Page 181

This double-ended beam with center loading is an optional replacement for many popular cells in the industry. Designed for truck, tank, and hopper applications. Capacities from 5000 to 150,000 lb (2268.0 to 68,040 kg). Complete with 30' (9.1m) of load cell cable.

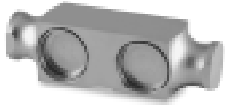


**Double-Ended Beams (Continued)**
**DSR, Alloy Steel ..... Page 182**


Double-ended beam with center loading. Designed for tank, hopper and silo applications. Capacities from 1000 to 75,000 lb (453.6 to 34,019.5 kg). Complete with 25' (7.6m) load cell cable.


**CLB, Alloy Steel ..... Page 183**


The Celtron CLB is an alloy steel, nickel-plated, double-ended beam that is ideal for applications in truck, track, tank and hopper applications. This product is of the center-loaded design, and is compatible with both the MVS and TSA mounting assemblies. The price has recently been reduced, and it should be competitive with any similar load cell on the market today. Available in capacities from 20,000 to 125,000 lb (9071.9 to 56,699.1kg), with all units being provided with a 25' (7.6m) cable.


**HED, Alloy Steel ..... Page 184**


This double-ended beam is intended for use in parallel link applications. The advantages to this method of loading is that the link design provides free movement in all horizontal directions with virtually no binding or friction points. This load cell is made of high-alloy steel that has been nickel plated, and is hermetically sealed to provide superior protection against the elements. Capacities range from 50,000 to 100,000 lb (22,679.6 to 45,359.2 kg). Each unit is provided with 40' (12.2m) of cable.


**DLB, Alloy Steel ..... Page 185**


Designed for center mounting and double-link loading, the DLB is a high-accuracy solution for many weighing applications. This alloy steel, nickel-plated load cell is compatible with Unilink/Translink mounting configurations. Available in capacities from 25,000 to 125,000 lb (11,339.8 to 56,699.1 kg). Units are provided with a standard 25' (7.6m) cable.

**Single Points**
**LPS, Aluminum ..... Page 186**


Designed for counting and bench weighing applications. Capacities from 3 to 100 kg (6.6 to 220.5 lb). Complete with 450mm (17.8") of load cell cable.


**LOC, Aluminum ..... Page 187**


Low-profile, off-center loading load cell. Designed for direct mounting of a weighing platform, hanging scales, and other low-capacity beam applications. Long-term stability and durability are maintained. Capacities from 5 to 100 kg (11.0 to 220.5 lb). Complete with 1m (3.3') of load cell cable.



## Single Points (Continued)

LOC, Aluminum, Heavy Capacity ..... Page 188



Low-profile, off-center loading load cell. Designed for direct mounting of a weighing platform and hanging scales. Long-term stability and durability are maintained. Capacities from 100 to 500 kg (220.5 to 1102.3 lb). Complete with 3.1m (10') of load cell cable.



HOC, Aluminum ..... Page 189

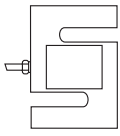


The model HOC is a high-capacity single point made of aluminum. Direct mounting of low-profile platforms simplifies the construction of floor scales, weigh bars, and hanging scales. Capacities from 750 to 2000 kg (1653.7 to 4410.0 lb). Complete with 3.1m (10') of load cell cable.

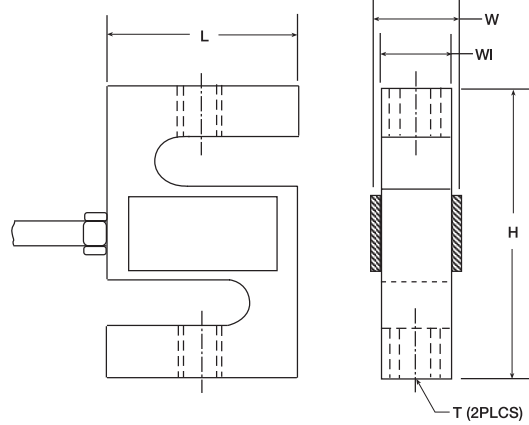


LCD Compression Disk, Alloy Steel ..... Featured Products Section Page 6, Page 190

PSD Compression Disk, Alloy Steel ..... Featured Products Section Page 8, Page 191



# STC Low-Capacity S-Beam, Alloy Steel, IP67



RATED CAPACITY	DIMENSIONS				
	H	L	T	W	W1
<b>lb/inches</b> 50-200	2.50	2.00	1/4-28 UNF	0.75	0.50
<b>kg/millimeters</b> 22.7-90.7	63.5	50.8	1/4-28 UNF	19.1	12.7

## SPECIFICATIONS:

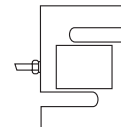
**Full Scale Output:** 3.0 mV/V (50 lb capacity, 2.0 mV/V)  
**Bridge Resistance:** 350 ohms, nominal  
**Material/Finish:** High-alloy steel, nickel plated  
**Temperature:** Compensated range 14°F to 104°F/-10°C to 40°C  
**Safe Overload:** 200% Full scale  
**Rated Excitation:** 10V AC/DC (15V maximum)  
**Nonlinearity:** 0.03% Full scale  
**Hysteresis:** 0.02% Full scale

**Insulation Resistance:** 2000 megohms  
**Seal Type:** Environmentally protected, IP67  
**Cable Length:** 10'/3.1m  
**Cable Color Code:** Red ..... + Excitation  
 Black ..... - Excitation  
 Green .... + Signal  
 White ..... - Signal  
**Warranty:** 1 year

STC ORDER INFORMATION		
Load Rating	Part #	Suggested List Price
50 lb (22.7 kg)	30044	\$165.00
100 lb (45.4 kg)	30045	\$165.00
150 lb (68.0 kg)	30046	\$165.00
200 lb (90.7 kg)	35787	\$165.00

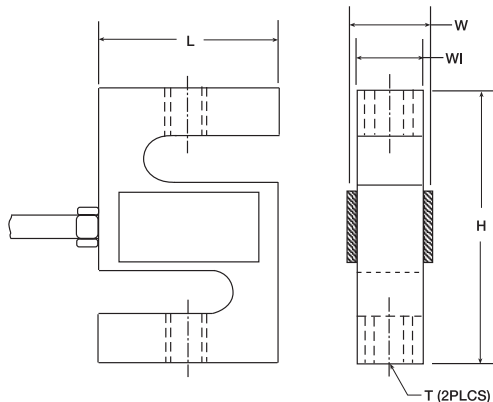
INTERCHANGEABLE PRODUCTS	
Manufacturer	Model
Rice Lake Weighing Systems	(see page 97) RL20000
Revere Transducers	(see page 236) 9363
Sensortronics	(see page 273) 60036

WEIGH MODULE AVAILABLE	
Model	Page #
ITCM - Isolated Tension Cell Mount	24-29, or 335



# STC S-Beam, Alloy Steel

## NTEP 1:10,000 Class III Single Cell, IP67



### RATED CAPACITY

	T	L	W	W1	H
<b>lb/inches</b>					
250	3/8-24 UNF	2.00	.75	.50	3.00
500-1500	1/2-20 UNF	2.00	1.00	.75	3.00
2000-3000	1/2-20 UNF	2.00	1.25	1.00	3.00
5000	3/4-16 UNF	3.00	1.25	1.00	4.25
10,000	3/4-16 UNF	3.00	1.25	1.00	4.75
15,000	1-14 UNS	3.95	1.50	1.25	5.50
20,000	1 1/4-12 UNF	4.94	2.19	1.94	7.00
40,000	1 1/2-12 UNF	6.00	2.75	2.50	10.00

### kg/millimeters

113.4	3/8-24 UNF	50.8	19.1	12.7	76.2
226.8-907.2	1/2-20 UNF	50.8	25.4	19.1	76.2
1134.0-1360.8	3/4-16 UNF	50.8	31.8	25.4	76.2
2268.0	1/2-20 UNF	76.2	31.8	25.4	107.9
4535.9	1/2-20 UNF	88.9	31.8	25.4	107.9
6803.9	1-14 UNS	100.3	38.1	31.8	139.7
9071.9	1 1/4-12 UNF	125.5	55.7	49.3	177.8
18,144.0	1 1/2-12 UNF	152.4	69.9	63.5	254.0

### SPECIFICATIONS:

**Full Scale Output:** 3.0 mV/V nominal  
**Bridge Resistance:** 350 ohms, nominal  
**Material/Finish:** High-alloy steel, nickel plated  
**Temperature:** Compensated range 14°F to 104°F/-10°C to 40°C  
**Safe Overload:** 150% Full scale  
**Rated Excitation:** 10V AC/DC (15V maximum)  
**Non-Repeatability:** 0.01% Full scale  
**Combined error:** 0.02% Full scale

**Insulation Resistance:** 2000 megohms  
**Seal Type:** Environmentally protected, IP67  
**Cable Length:** 20'±6.1m  
**Cable Color Code:** Red ..... + Excitation  
 Black ..... - Excitation  
 Green .... + Signal  
 White ..... - Signal  
**Warranty:** 1 year

### STC ORDER INFORMATION

Load Rating	Part #	Suggested List Price
250 lb (113.4 kg)	30047	\$195.00
500 lb (226.8 kg)	30051	\$195.00
750 lb (340.2 kg)	30054	\$195.00
1000 lb (453.6 kg)	30067	\$195.00
1500 lb (680.4 kg)	30069	\$195.00
2000 lb (907.2 kg)	30072	\$195.00
2500 lb (1134.0 kg)	30073	\$195.00
3000 lb (1360.8 kg)	30074	\$235.00
5000 lb (2268.0 kg)	30076	\$325.00
10,000 lb (4535.9 kg)	30077	\$325.00
15,000 lb (6803.9 kg)	30078	\$455.00
20,000 lb (9071.9 kg)	30079	\$685.00
40,000 lb (18,144.0 kg)	46674	\$955.00*

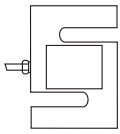
\* Non-NTEP

### INTERCHANGEABLE PRODUCTS

Manufacturer	Model
Rice Lake Weighing Systems	(see page 99) RL20001
Sensortronics	(see page 270) 60001

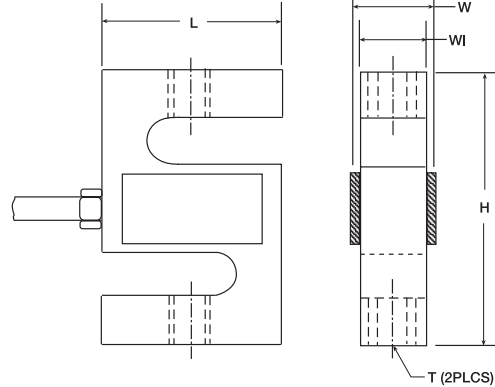
### WEIGH MODULE AVAILABLE

Model	Page #
ITCM - Isolated Tension Cell Mount	24-29, or 335



# STC SS S-Beam, Stainless Steel, IP67

**EXPANDED!  
Capacity Range!**



RATED CAPACITY	DIMENSIONS				
	T	L	W	W1	H
<b>lb/inches</b>					
250	3/8-24 UNF	2.00	.75	.50	3.00
500-1500	1/2-20 UNF	2.00	1.00	.75	3.00
2000-3000	1/2-20 UNF	2.00	1.25	1.00	3.00
5000	3/4-16 UNF	3.00	1.25	1.00	4.25
10,000	3/4-16 UNF	3.50	1.25	1.00	4.25
<b>kg/millimeters</b>					
113.4	3/8-24 UNF	50.8	19.1	12.7	76.2
226.8-907.2	1/2-20 UNF	50.8	25.4	19.1	76.2
1134.0-1360.8	1/2-20 UNF	50.8	31.8	25.4	76.2
2268.0	3/4-16 UNF	76.2	31.8	25.4	107.9
4535.9	3/4-16 UNF	88.9	31.8	25.4	107.9

### SPECIFICATIONS:

**Full Scale Output:** 3.0 mV/V nominal  
**Bridge Resistance:** 350 ohms, nominal  
**Material/Finish:** Stainless steel  
**Temperature:** Compensated range  
 14°F to 104°F/-10°C to 40°C  
**Safe Overload:** 150% Full scale  
**Rated Excitation:** 10V AC/DC (15V maximum)  
**Nonlinearity:** 0.03% Full scale  
**Hysteresis:** 0.02% Full scale

**Insulation Resistance:** 2000 megohms  
**Seal Type:** Environmentally protected, IP67  
**Cable Length:** 20'/6.1m  
**Cable Color Code:** Red ..... + Excitation  
 Black ..... - Excitation  
 Green .... + Signal  
 White ..... - Signal  
**Warranty:** 1 year

### STC SS ORDER INFORMATION

Load Rating	Part #	Suggested List Price
250 lb (113.4 kg)	46659	\$295.00
500 lb (226.8 kg)	46661	\$295.00
750 lb (340.2 kg)	46662	\$295.00
1000 lb (453.6 kg)	46663	\$295.00
1500 lb (680.4 kg)	46664	\$295.00
2000 lb (907.2 kg)	46665	\$295.00
2500 lb (1134.0 kg)	46666	\$315.00
3000 lb (1360.8 kg)	46667	\$315.00
5000 lb (2268.0 kg)	46668	\$445.00
10,000 lb (4535.9 kg)	46669	\$455.00

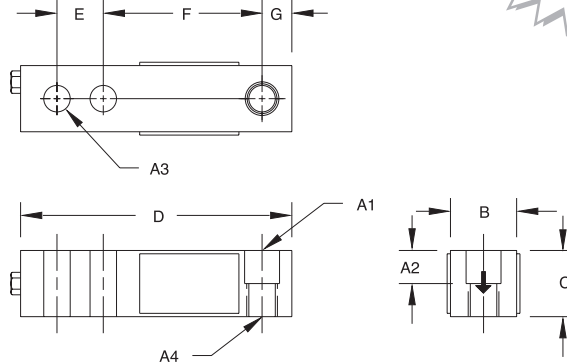
### INTERCHANGEABLE PRODUCTS

Manufacturer	Model
Sensortronics	(see page 271) 60050

# SQB Single-Ended Shear Beam, Alloy Steel

## NTEP 1:5000 Class III Multiple Cell, IP67

**Dramatically  
Reduced  
Prices!**



RATED CAPACITY	DIMENSIONS									
	A1	A2	A3	A4	B	C	D	E	F	G
<b>lb/inches</b>										
500	.53 DIA.	.50	.53	1/2-20 UNF-2B	1.25	1.00	5.12	1.00	3.00	.50
1000-5000SE	.53 DIA.	.62	.53	1/2-20 UNF-2B	1.25	1.25	5.12	1.00	3.00	.50
5000LE-10,000	.78 DIA.	.75	.78	3/4-16 UNF-2B	1.50	1.50	6.75	1.50	3.75	.75
15,000-20,000	1.03 DIA.	1.00	1.03	1-14 UNF-2B	2.00	2.00	8.88	2.00	4.88	1.00
<b>kg/millimeters</b>										
226.8	13.5 DIA.	12.7	13.5	1/2-20 UNF-2B	31.8	25.4	130.0	25.4	76.2	12.7
453.6-2268.0SE	13.5 DIA.	15.8	13.5	1/2-20 UNF-2B	31.8	31.8	130.0	25.4	76.2	12.7
2268.0LE-4535.9	19.8 DIA.	19.1	19.8	3/4-16 UNF-2B	38.1	38.1	171.5	38.1	95.3	19.1
6803.9-9071.9	26.2 DIA.	25.4	26.2	1-14 UNF-2B	50.8	50.8	225.6	50.8	124.0	25.4

### SPECIFICATIONS:

**Full Scale Output:** 3.0 mV/V  
**Bridge Resistance:** 350 ohms, nominal  
**Material/Finish:** High-alloy steel, nickel plated  
**Temperature:** Compensated range 14°F to 104°F/-10°C to 40°C  
**Safe Overload:** 200% Full scale  
**Rated Excitation:** 10V AC/DC (15V maximum)  
**Nonlinearity:** 0.03% Full scale  
**Hysteresis:** 0.02% Full scale

**Insulation Resistance:** 2000 megohms  
**Deflection at Capacity:** 500-1000 lb = .013"/.3mm, 2000-3000 lb = .015"/.4mm, 4000-5000 lb = .025"/.6mm, 10,000 lb = .035"/.9mm  
**Seal Type:** Environmentally protected, IP67  
**Cable Length:** 20'/6.1m  
**Cable Color Code:** Red ..... + Excitation  
 Black ..... - Excitation  
 Green ... + Signal  
 White ..... - Signal  
**Warranty:** 1 year

### SQB ORDER INFORMATION

Load Rating	Part #	Suggested List Price
<b>NTEP 1:5000</b>		
1000 lb (453.6 kg)	30106	\$195.00
2000 lb (907.2 kg)	30109	\$195.00
2500 lb (1134.0 kg)	30112	\$195.00
3000 lb (1360.8 kg)	30113	\$195.00
4000 lb (1814.4 kg)	30270	\$195.00
5000 lb-SE (2268.0 kg)	30114	\$195.00
5000 lb-LE (2268.0 kg)	30115	\$330.00
10,000 lb (4535.9 kg)	30117	\$330.00
<b>Non-NTEP</b>		
500 lb (226.8 kg)	30101	\$185.00
15,000 lb (6803.9 kg)	30118	\$430.00
20,000 lb (9071.9 kg)	30121	\$445.00

SE refers to small envelope  
LE refers to large envelope

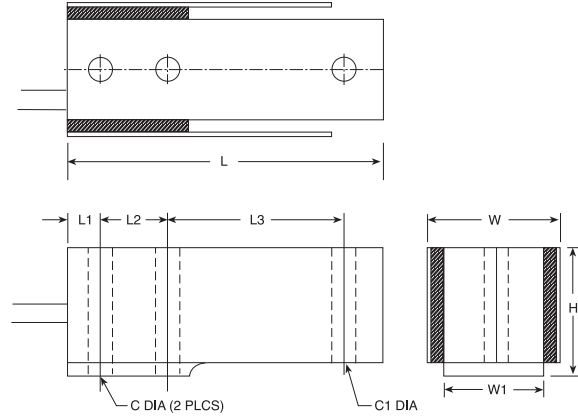
### INTERCHANGEABLE PRODUCTS

Manufacturer	Model
Rice Lake Weighing Systems	..... (see page 107) RL35023
Sensortronics	..... (see page 274) 65023

### WEIGH MODULE AVAILABLE

Model	Page #
RL1800 Series	..... 40
RL50210TA	..... 30

# MBB Single-Ended Beam, Alloy Steel



RATED CAPACITY	DIMENSIONS								
	C	C1	W	W1	H	L	L1	L2	L3
<b>lb/inches</b>									
50-150	0.172	0.172	0.70	0.50	1.00	2.38	0.25	0.50	1.31
250	0.172	0.172	1.00	0.75	1.00	2.38	0.25	0.50	1.31
<b>kg/millimeters</b>									
22.7-68.0	4.37	4.37	17.8	12.7	25.4	60.5	6.4	12.7	33.3
113.4	4.37	4.37	25.4	19.1	25.4	60.5	6.4	12.7	33.3

## SPECIFICATIONS:

**Full Scale Output:** 3.0 mV/V  
**Bridge Resistance:** 350 ohms, nominal  
**Material/Finish:** High-alloy steel, nickel plated  
**Temperature:** Compensated range 14°F to 104°F/-10°C to 40°C  
**Safe Overload:** 200% Full scale  
**Rated Excitation:** 10V DC (15V maximum)  
**Nonlinearity:** 0.03% Full scale  
**Hysteresis:** 0.02% Full scale

**Insulation Resistance:** 2000 megohms  
**Seal Type:** Environmentally protected  
**Cable Length:** 3'/0.9m  
**Cable Color Code:** Red ..... + Excitation  
 Black ..... - Excitation  
 Green .... + Signal  
 White ..... - Signal  
**Warranty:** 1 year

## MBB ORDER INFORMATION

Load Rating	Part #	Suggested List Price
50 lb (22.7 kg)	30130	\$195.00
100 lb (45.4 kg)	30131	\$195.00
150 lb (68.0 kg)	30132	\$195.00
250 lb (113.4 kg)	35786	\$195.00

## INTERCHANGEABLE PRODUCT INFORMATION

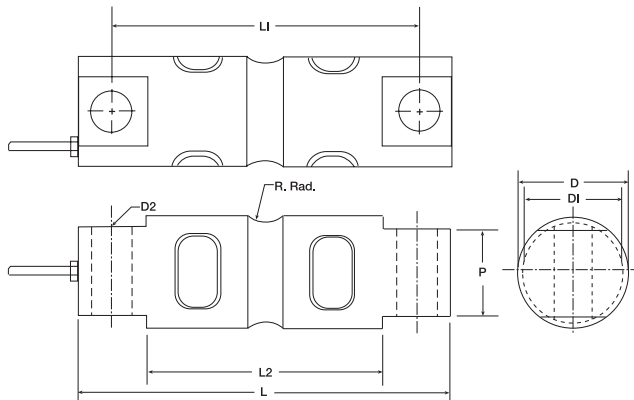
Manufacturer	Model
Sensortronics	(see page 279) 65007
Interface®	MB
Revere	CBU

Interface is a registered trademark of Interface, Inc.



# CSB Double-Ended Shear Beam, Alloy Steel

## NTEP 1:10,000 Class III L Multiple Cell, IP67



RATED CAPACITY	DIMENSIONS							
	L	L1	L2	D	D1	D2	P	R
<b>lb/inches</b>								
5000-20,000	8.12	6.88	5.24	1.83	1.61	.66	1.12	.50
30,000-60,000	10.25	8.50	6.49	3.20	2.93	1.06	2.37	1.00
100,000	11.25	9.50	7.49	3.75	3.24	1.06	2.50	1.00
150,000	11.25	9.50	7.49	3.90	3.64	1.06	2.80	1.50
<b>kg/millimeters</b>								
2268.0-9071.9	206.3	174.8	133.1	46.5	41.0	16.8	28.5	12.7
13,607.8-27,215.6	260.4	215.9	164.8	81.3	74.5	26.9	60.2	25.4
45,359.4	285.8	241.3	190.2	95.3	88.7	26.9	63.5	25.4
68,040.0	285.8	241.3	190.2	99.1	92.5	26.9	71.1	38.1

### SPECIFICATIONS:

**Full Scale Output:** 3.0 mV/V  
**Bridge Resistance:** 700 ohms, nominal  
**Material/Finish:** High-alloy steel, nickel plated  
**Temperature:** Compensated range  
 14°F to 104°F/-10°C to 40°C  
**Safe Overload:** 150% Full scale  
**Rated Excitation:** 10V AC/DC (15V maximum)  
**Combined error:** 0.25% Full scale  
**Non-Repeatability:** 0.02% Full scale

**Insulation Resistance:** 5000 megohms  
**Seal Type:** Environmentally protected, IP67  
**Cable Length:** 30'/9.1m  
**Cable Color Code:** Red ..... + Excitation  
 Black ..... - Excitation  
 Green ... + Signal  
 White ..... - Signal  
**Warranty:** 1 year

### CSB ORDER INFORMATION

Load Rating	Part #	Suggested List Price
5000 lb (2268.0 kg)	42120	\$635.00
10,000 lb (4536.0 kg)	42121	\$635.00
20,000 lb (9072.0 kg)	42122	\$635.00
30,000 lb (13,608.0 kg)	42123	\$735.00
40,000 lb (18,144.0 kg)	42124	\$735.00
50,000 lb (22,679.6 kg)	42125	\$815.00
60,000 lb (27,216.0 kg)	42126	\$815.00
100,000 lb (45,360.0 kg)	42127	\$1,410.00
150,000 lb (68,040.0 kg)	46683	\$1,610.00

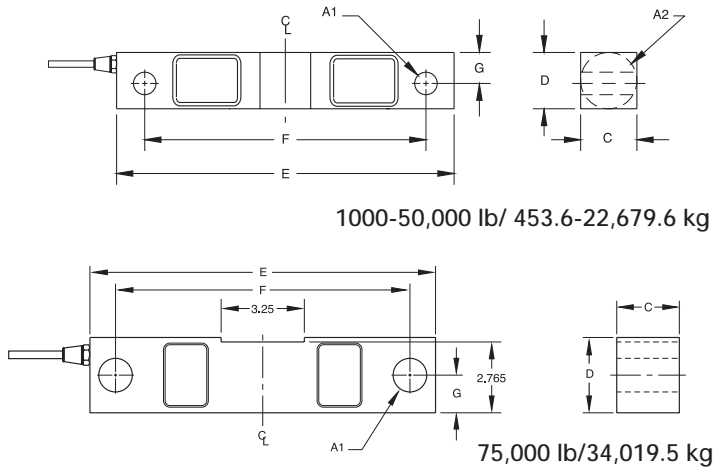
### INTERCHANGEABLE PRODUCTS

Manufacturer	Model
Rice Lake Weighing Systems	(see page 131) RL70000
Revere Transducers	(see page 246) 5103

### WEIGH MODULE AVAILABLE

Model	Page #
EZ Mount 1	52

# DSR Double-Ended Shear Beam, Alloy Steel, IP67



RATED CAPACITY	DIMENSIONS						
	A1	A2	C	D	E	F	G
<b>lb/inches</b>							
1000-5000	.50	1.25	1.25	1.25	7.50	6.25	.69
10,000-25,000	.81	1.99	1.44	1.94	8.75	7.50	.96
50,000	1.31	3.00	2.44	2.94	13.50	11.50	1.50
75,000	1.31	-	2.44	2.94	13.50	11.50	1.47
<b>kg/millimeters</b>							
453.6-2268.0	12.7	31.8	31.8	31.8	190.5	158.8	17.5
4535.9-11,339.8	20.6	50.8	36.6	49.3	222.3	190.5	24.4
22,679.7	33.3	76.2	62.0	74.7	342.9	292.1	38.1
34,019.5	33.3	-	62.0	74.7	342.9	292.1	37.3

## SPECIFICATIONS:

**Full Scale Output:** 3.0 mV/V  
**Bridge Resistance:** 700 ohms, nominal  
**Material/Finish:** High-alloy steel, nickel plated  
**Temperature:** Compensated range 14°F to 104°F/-10°C to 40°C  
**Safe Overload:** 150% Full scale  
**Rated Excitation:** 10V AC/DC (25V maximum)  
**Nonlinearity:** 0.03% Full scale  
**Hysteresis:** 0.02% Full scale

**Insulation Resistance:** 2000 megohms  
**Deflection at Capacity:** 1000-3000 lb = .01"/.3mm, 5000 lb = .015"/.4mm, 10,000 - 20,000 lb = .022"/.6mm, 25,000 lb = .036"/.9mm, 50,000 lb = .052"/1.3mm, 75,000 lb = .07"/1.8mm  
**Seal Type:** Environmentally protected, IP67  
**Cable Length:** 25'/7.6m  
**Cable Color Code:** Red ..... + Excitation  
 Black ..... - Excitation  
 Green .... + Signal  
 White ..... - Signal  
**Warranty:** 1 year

DSR ORDER INFORMATION		
Load Rating	Part #	Suggested List Price
1000 lb (453.6 kg)	30080	\$495.00
1500 lb (680.4 kg)	30081	\$495.00
2000 lb (907.2 kg)	30088	\$495.00
2500 lb (1134.0 kg)	30089	\$495.00
3000 lb (1360.8 kg)	30091	\$495.00
5000 lb (2268.0 kg)	30094	\$495.00
10,000 lb (4535.9 kg)	30095	\$575.00
15,000 lb (6803.9 kg)	30096	\$575.00
20,000 lb (9071.9 kg)	30097	\$575.00
25,000 lb (11,339.8 kg)	30098	\$575.00
50,000 lb (22,679.6kg)	30099	\$825.00
75,000 lb (34,019.5 kg)	30100	\$825.00

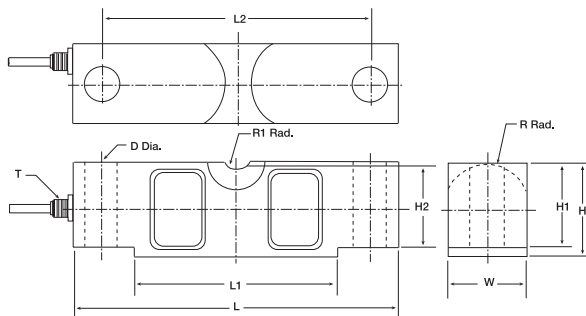
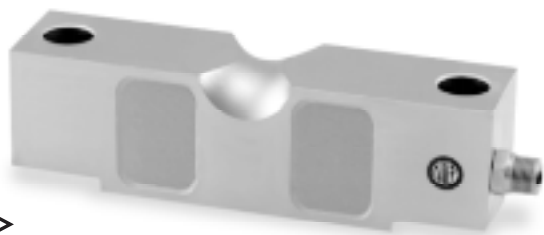
INTERCHANGEABLE PRODUCTS	
Manufacturer	Model
Rice Lake Weighing Systems	(see page 134) RL75016
Sensortronics	(see page 283) 65016
Revere	5203

WEIGH MODULE AVAILABLE	
Model	Page #
RL1600 Series	58-64

NOTE: 75,000 lb capacity has a square center

# CLB Double-Ended Beam, Alloy Steel

## NTEP 1:10,000 Class III L Multiple Cell, IP67



RATED CAPACITY	DIMENSIONS										
	L	L1	L2	W	H	H1	H2	D	R	R1	T
<b>lb/inches</b>											
20,000-25,000	7.75	4.99	6.50	1.69	1.94	1.70	1.63	.68	.90	.75	1/4-18NPT
40,000	10.25	6.39	8.50	1.94	2.44	2.10	2.00	.81	1.12	1.00	1/4-18NPT
50,000-75,000	10.25	6.39	8.50	2.44	2.94	2.65	2.54	1.06	1.37	1.00	1/2-14NPT
100,000-125,000	15.25	8.99	12.75	2.90	3.86	2.43	3.30	1.62	1.80	1.50	1/2-14NPT
<b>kg/millimeters</b>											
9072.0-11,340.0	196.9	126.7	165.1	42.9	49.3	43.2	41.4	17.3	22.9	19.1	1/4-18NPT
18,144.0	260.4	162.3	215.9	49.3	62.0	53.3	50.8	20.6	28.5	25.4	1/4-18NPT
22,680.0-34,020.0	260.4	162.3	215.9	62.0	74.7	67.3	64.5	26.9	34.8	25.4	1/2-14NPT
45,360.0-56,700.0	387.4	228.4	323.9	73.7	98.0	87.1	83.8	41.2	45.7	38.1	1/2-14NPT

### SPECIFICATIONS:

**Full Scale Output:** 3.0 mV/V  
**Bridge Resistance:** 700 ohms, nominal  
**Material/Finish:** High-alloy steel, nickel plated  
**Temperature:** Compensated range  
 14°F to 104°F/-10°C to 40°C  
**Safe Overload:** 150% Full scale  
**Rated Excitation:** 10V AC/DC (15V maximum)  
**Combined Error:** 0.025%  
**Insulation Resistance:** 5000 megohms

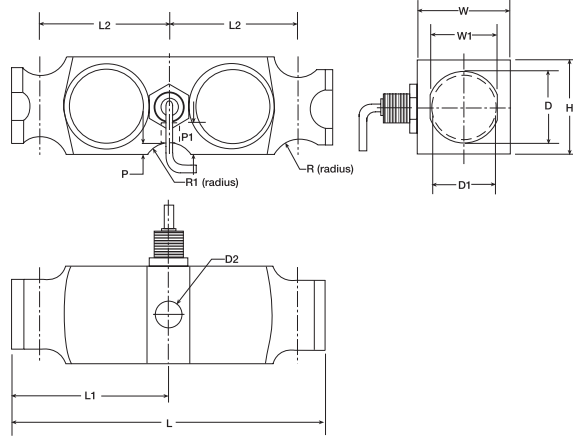
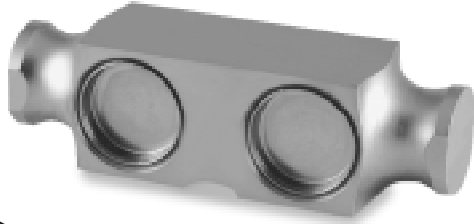
**Seal Type:** Environmentally sealed, IP67  
**Cable Length:** 25'/7.6m  
**Cable Color Code:** Red ..... + Excitation  
 Black ..... - Excitation  
 Green ... + Signal  
 White ..... - Signal  
**Warranty:** 1 year

CLB ORDER INFORMATION		
Load Rating	Part #	Suggested List Price
20,000 lb (9071.9 kg)	46675	\$610.00
25,000 lb (11,339.8 kg)	46676	\$625.00
40,000 lb (18,144.0 kg)	46677	\$745.00
50,000 lb (22,679.6 kg)	46678	\$810.00
60,000 lb (27,216.0 kg)	46679	\$810.00
75,000 lb (34,019.5 kg)	46680	\$810.00
100,000 lb (45,360.0 kg)	46681	\$1,475.00
125,000 lb (56,700.0 kg)	46682	\$1,475.00

INTERCHANGEABLE PRODUCTS	
Manufacturer	Model
Rice Lake Weighing Systems	(see page 137) RL75058
Sensortronics	(see page 286) 65068
Tedea	(see page 311) 4158

# HED Double-Ended Beam, Alloy Steel

## Welded Seal, IP67, NTEP 1:10,000 Class III L Multiple Cell



RATED CAPACITY	DIMENSIONS												
	L	L1	L2	W	WI	H	D	D1	P	P1	R	R1	T
<b>lb/inches</b>													
50,000-100,000	10.25	5.13	4.25	3.00	2.20	3.00	2.40	2.06	.28	.96	1.00	1.00	1/2-14NPT
<b>kg/millimeters</b>													
22,680.0-45,360.0	260.4	130.2	107.9	76.2	55.9	76.2	61.0	52.3	7.1	24.4	25.4	25.4	1/2-14NPT

### SPECIFICATIONS:

Full Scale Output:	3.0 mV/V	Combined Error:	0.025% Full Scale
Bridge Resistance:	700 ohms, nominal	Insulation Resistance:	5000 Ohms
Material/Finish:	High-alloy steel, nickel plated	Deflection at Cap:	<0.4 mm
Temperature:	Operating range -4°F to 140°F/-20°C to 60°C Compensated range 14°F to 104°F/-10°C to 40°C	Seal Type:	Welded seal, IP67
Safe Overload:	150% Full scale	Cable Length:	50'/15.2m
Rated Excitation:	10V AC/DC (20V maximum)	Cable Color Code:	Red ..... + Excitation Black ..... - Excitation Green .... + Signal White ..... - Signal
Non-Repeatability:	0.02% Full Scal	Warranty:	1 year

### HED ORDER INFORMATION

Load Rating	Part #	Suggested List Price
50,000 lb (22,679.6 kg) .....	46691 .....	\$850.00
65,000 lb (29,484.0 kg) .....	46692 .....	\$850.00
100,000 lb (45,360.0 kg) .....	46693 .....	\$1,165.00

### INTERCHANGEABLE PRODUCTS

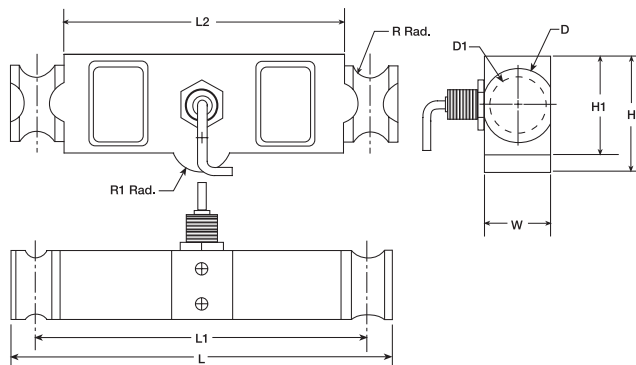
Manufacturer	Model
Rice Lake Weighing Systems .....	(see page 139) RL75223
Revere Transducers .....	(see page 248) 5223
Thurman .....	TSC 800

### WEIGH MODULE AVAILABLE

Model	Page #
Translink .....	78

# DLB Double-Ended Beam, Alloy Steel

## NTEP 1:10,000 Class IIIIL Multiple Cell, IP67



RATED CAPACITY	DIMENSIONS										
	L	L1	L2	W	H	H1	D	D1	R	R1	
<b>lb/inches</b>											
25,000-40,000	8.25	7.25	6.25	1.94	2.97	2.44	2.00	1.63	.50	.50	
50,000-75,000	11.50	10.00	8.50	1.94	3.47	2.94	2.20	1.70	.75	1.00	
100,000-125,000	14.50	12.50	10.5	2.90	4.68	3.86	3.20	2.44	1.00	1.50	
<b>kg/millimeters</b>											
11,339.8-18,144.0	209.6	184.2	158.8	49.3	75.5	62.0	50.8	41.4	12.7	12.7	
22,679.6-34,019.5	292.1	254.0	215.9	49.3	88.2	74.7	55.9	43.2	19.1	25.4	
45,360.0-56,700.0	368.3	317.5	266.7	73.7	118.9	98.0	81.3	62.0	25.4	38.1	

### SPECIFICATIONS:

**Full Scale Output:** 3.0 mV/V  
**Bridge Resistance:** 700 ohms, nominal  
**Material/Finish:** High-alloy steel, nickel plated  
**Temperature:** Operating range -4°F to 140°F/-20°C to 60°C  
 Compensated range 14°F to 104°F/-10°C to 40°C  
**Safe Overload:** 150% Full scale  
**Rated Excitation:** 10V AC/DC (15V maximum)  
**Combined Error:** 0.025% Full Scale

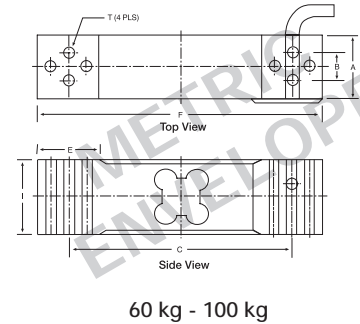
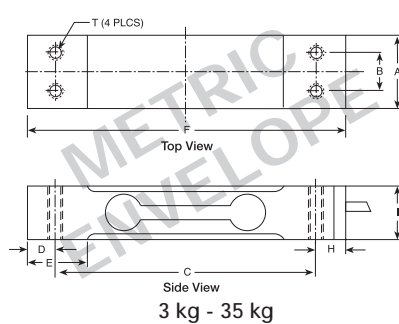
**Insulation Resistance:** 5000 megohms  
**Seal Type:** Environmentally protected, IP67  
**Cable Length:** 25' / 7.6m  
**Cable Color Code:** Red ..... + Excitation  
 Black ..... - Excitation  
 Green .... + Signal  
 White ..... - Signal  
**Warranty:** 1 year

DLB ORDER INFORMATION		
Load Rating	Part #	Suggested List Price
25,000 lb (11,339.8 kg)	46684	\$615.00
40,000 lb (18,144.0 kg)	46685	\$740.00
50,000 lb (22,679.6 kg)	46686	\$825.00
60,000 lb (27,216.0 kg)	46687	\$825.00
75,000 lb (34,019.5 kg)	46688	\$825.00
100,000 lb (45,360.0 kg)	46689	\$1,475.00
125,000 lb (56,700.0 kg)	46690	\$1,475.00

INTERCHANGEABLE PRODUCTS	
Manufacturer	Model
Rice Lake Weighing Systems	(see page 140) RL75040A
Sensortronics	(see page 289) 65040A
Thurman	TSC 840

# LPS Single Point, Aluminum

## NTEP 1:5000 Class III Single Cell



### RATED CAPACITY

kg/millimeters  
 3  
 6-20  
 30-35  
 60-100

	DIMENSIONS									
	A	B	C	D	E	F	H	I	T	
3	15.0	7.0	106	6.0	12.0	70.0	6.0	22.0	M3 THRU	
6-20	30.0	15.0	106	12.0	25.0	130.0	12.0	22.0	M6 THRU	
30-35	40.0	15.0	106	12.0	25.0	130.0	12.0	22.0	M6 THRU	
60-100	35.0	15.0	117	N/A	33.0	150.0	N/A	40.0	M6 THRU	

### lb/inches

6.6  
 13.2-44.1  
 66.2-77.2  
 132.3-220.5

6.6	0.59	0.28	4.17	0.24	0.47	2.76	0.24	0.87	M3 THRU	
13.2-44.1	1.18	0.59	4.17	0.47	0.98	5.12	0.47	0.87	M6 THRU	
66.2-77.2	1.57	0.59	4.17	0.47	0.98	5.12	0.47	0.87	M6 THRU	
132.3-220.5	1.38	0.59	4.61	N/A	1.30	5.91	N/A	1.57	M6 THRU	

### SPECIFICATIONS:

Full Scale Output: 2.0 mV/V  
 Bridge Resistance: 350 ohms, nominal  
 Material/Finish: Aluminum  
 Temperature: Compensated range  
 14°F to 104°F/-10°C to 40°C  
 Safe Overload: 150% Full scale  
 Rated Excitation: 10V AC/DC (15V maximum)  
 Combined Error: 0.25% Full scale  
 Non-Repeatability: 0.02%

Insulation Resistance: 2000 megohms  
 Seal Type: Environmentally protected  
 Cable Length: 450mm/17.8"  
 Cable Color Code: Red ..... + Excitation  
 Blue ..... - Excitation  
 Green ... + Signal  
 White .... - Signal  
 Warranty: 1 year

### LPS ORDER INFORMATION

Load Rating	Part #	Suggested List Price
<b>NTEP 1:5000</b>		
3 kg (6.6 lb)	41822	\$130.00
6 kg (13.2 lb)	41823	\$130.00
10 kg (22.0 lb)	41824	\$130.00
15 kg (33.1 lb)	41825	\$130.00
20 kg (44.1 lb)	41826	\$130.00
<b>Non-NTEP</b>		
3 kg (6.6 lb)	30143	\$120.00
10 kg (22.0 lb)	30145	\$120.00
15 kg (33.1 lb)	30146	\$120.00
20 kg (44.1 lb)	30147	\$120.00
30 kg (66.2 lb)	46502	\$120.00
35 kg (77.2 lb)	30148	\$120.00
60 kg (132.3 lb)	41149	\$120.00
100 kg (220.5 lb)	41150	\$120.00

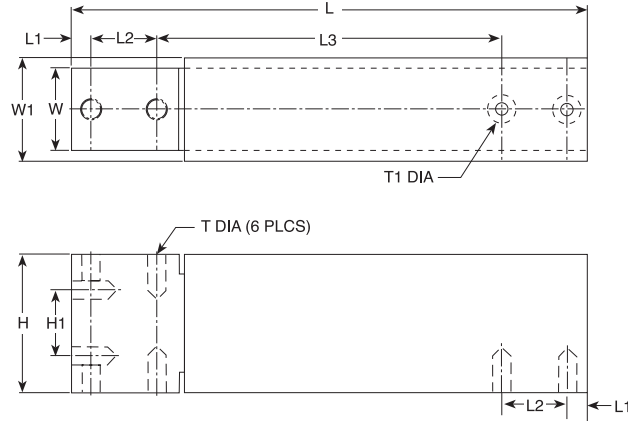
### INTERCHANGEABLE PRODUCT INFORMATION

Manufacturer	Model
Rice Lake Weighing Systems	(see page 144) RL1521
BLH®	C2G1
Fairbanks®	4900 Series Checkweighers
NMB®	C2G1
Tedea-Huntleigh	(see page 312) 1022

BLH is a registered trademark of BLH Electronics  
 Fairbanks is a registered trademark of Fairbanks Scales  
 NMB is a registered trademark of NMB Technologies Inc.

# LOC Single Point, Aluminum

## NTEP 1:5000 Class III Single Cell



RATED CAPACITY	DIMENSIONS									
	H	H1	L	L1	L2	L3	T	T1	W	W1
kg/millimeters 5-100	40.0	19.0	150.0	6.0	19.0	100.0	1/4-20 UNC	1/4-28 UNF	30.0	25.0
lb/inches 11.0-220.5	1.57	.75	5.91	.24	.75	3.94	1/4-20 UNC	1/4-28 UNF	1.18	1.00

### SPECIFICATIONS:

**Full Scale Output:** 2.0 mV/V  
**Bridge Resistance:** 350 ohms, nominal  
**Material/Finish:** Aluminum  
**Temperature:** Compensated range  
 14°F to 104°F/-10°C to 40°C  
**Safe Overload:** 150% Full scale  
**Rated Excitation:** 10V AC/DC (15V maximum)  
**Combined Error:** 0.25% Full scale

**Non-repeatability:** 0.02%  
**Insulation Resistance:** 2000 megohms  
**Seal Type:** Environmentally protected  
**Cable Length:** 1m/3.3'  
**Cable Color Code:** Red ..... + Excitation  
 Black ..... - Excitation  
 Green ..... + Signal  
 White ..... - Signal  
**Warranty:** 1 year

### LOC ORDER INFORMATION

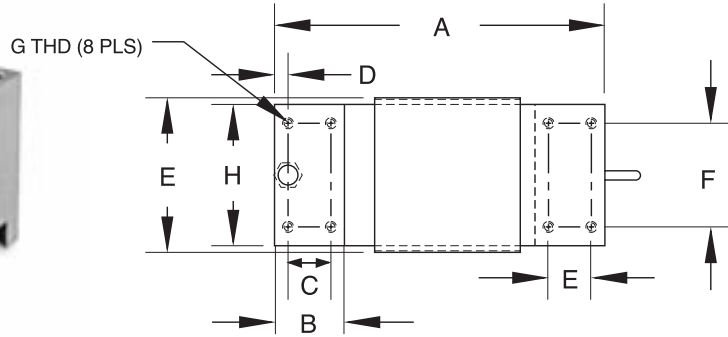
Load Rating	Part #	Suggested List Price
<b>NTEP 1:5000</b>		
5 kg (11 lb) .....	39810 .....	\$175.00
7 kg (15.4 lb) .....	39809 .....	\$175.00
10 kg (22.0 lb) .....	39808 .....	\$175.00
15 kg (33.1 lb) .....	39807 .....	\$175.00
20 kg (44.1 lb) .....	39806 .....	\$175.00
30 kg (66.1 lb) .....	39805 .....	\$175.00
50 kg (110.2 lb) .....	39804 .....	\$175.00
100 kg (220.5 lb) .....	39803 .....	\$175.00
<b>Non-NTEP</b>		
5 kg (11 lb) .....	30134 .....	\$150.00
7 kg (15.4 lb) .....	30135 .....	\$150.00
10 kg (22.0 lb) .....	30136 .....	\$150.00
15 kg (33.1 lb) .....	30137 .....	\$150.00
20 kg (44.1 lb) .....	30138 .....	\$150.00
30 kg (66.1 lb) .....	30139 .....	\$150.00
50 kg (110.2 lb) .....	30140 .....	\$150.00
100 kg (220.5 lb) .....	30141 .....	\$150.00

### INTERCHANGEABLE PRODUCTS

Manufacturer	Model
Rice Lake Weighing Systems .....	(see page 149) RL1040
Rice Lake Weighing Systems .....	(see page 148) RL1042
Revere Transducers .....	(see page 260) 642
Tedea-Huntleigh .....	(see page 316) 1040
Tedea-Huntleigh .....	(see page 315) 1042
HBM .....	(see page 224) SP4



## LOC Single Point, Aluminum, Heavy Capacity NTEP 1:5000 Class III Single Cell



RATED CAPACITY	DIMENSIONS							
	A	B	C	D	E	F	G	H
<b>kg/millimeters</b> 100 - 500	191.0	-	25.0	11.0	82.0	60.0	5/16-18UNC X 20 DP	75.0
<b>lb/inches</b> 220.5 -1102.5	7.52	-	.98	.31	3.23	2.36	5/16-18UNC X 0.59 DP	2.95

### SPECIFICATIONS:

Full Scale Output:	2.0 mV/V	Insulation Resistance:	5000 megohms
Bridge Resistance:	350 ohms, nominal	Seal Type:	Environmentally protected
Material/Finish:	Aluminum	Cable Length:	100 kg = 1m/3.3' 150-500 kg & 100 -500 kg = 2m/6.6'
Temperature:	Compensated temperature range 14°F to 104°F/-10°C to 40°C	Cable Color Code:	Green ... + Excitation Black ..... - Excitation Blue ..... + Sense Brown ... - Sense Red ..... + Signal White ..... - Signal
Safe Overload:	150% Full scale	Warranty:	1 year
Rated Excitation:	10V DC (15V maximum)		
Combined Error:	0.025% Full scale		
Non-Repeatability:	0.02%		

### LOC ORDER INFORMATION

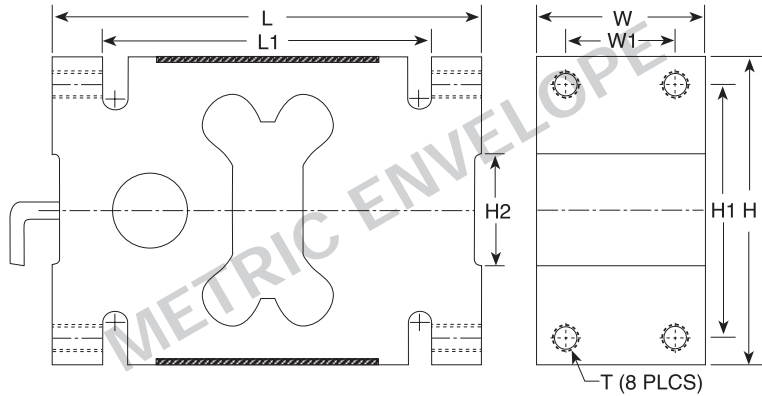
Load Rating	Part #	Suggested List Price
100 kg (220.5 lb) .....	39797 .....	\$295.00
150 kg (330.7 lb) .....	39796 .....	\$295.00
250 kg (551.2 lb) .....	39795 .....	\$295.00
300 kg (661.4 lb) .....	39794 .....	\$295.00
500 kg (1102.3 lb) .....	39793 .....	\$295.00

### INTERCHANGEABLE PRODUCTS

Manufacturer	Model
Rice Lake Weighing Systems .....	(see page 154) RL1250
Tedea-Huntleigh .....	(see page 322) 1250
Revere .....	(see page 261) 652
Flintec .....	(see page 205) PCB



# HOC Single Point, Aluminum



RATED CAPACITY	DIMENSIONS							
	H	H1	H2	L	L1	T	W	W1
<b>kg/millimeters</b>								
750-2000	126.0	95.0	45.0	176.0	135.0	M16X2-6H	76.0	46.0
<b>lb/inches</b>								
1653.8-4409.2	4.96	3.74	1.77	6.93	5.31	M16X2-6H	2.99	1.81

## SPECIFICATIONS:

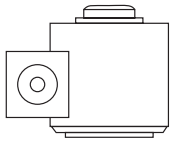
Full Scale Output:	2.0 mV/V	Seal Type:	Environmentally protected, potted
Bridge Resistance:	350 ohms, nominal	Cable Length:	6m/19.7'
Material/Finish:	Anodized aluminum	Cable Color Code:	Green ... + Excitation Black ..... - Excitation Blue ..... + Sense Brown ... - Sense Red ..... + Signal White ..... - Signal
Temperature:	Compensated range 14°F to 104°F/-10°C to 40°C	Warranty:	1 year
Safe Overload:	150% Full scale		
Rated Excitation:	10V AC/DC (15V maximum)		
Total Error:	0.02% Full scale		
Insulation Resistance:	5000 megohms		

### HOC ORDER INFORMATION

Load Rating	Part #	Suggested List Price
750 kg (1653.8 lb) .....	42117 .....	\$400.00
1000 kg (2205.0 lb) .....	42118 .....	\$400.00
2000 kg (4410.0 lb) .....	42119 .....	\$400.00

### INTERCHANGEABLE PRODUCTS

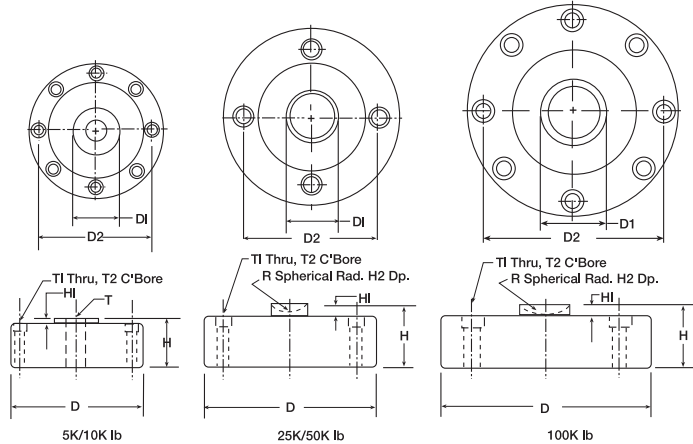
Manufacturer	Model
Tedea-Huntleigh .....	(see page 323) 1320



## LCD Compression\* Disk, Alloy Steel



25,000 lb model shown. Load cup sold separately on 5,000 and 10,000 lb models.



RATED CAPACITY	T	R	D	D2	H	DIMENSIONS				
						H1	H2	T1	T2	
<b>lb/inches</b>										
5,000-10,000	5/8-18 UNF-3B	—	4.12	3.50	1.37	.12	—	.28	.406 x .283 DP	
25,000-50,000	—	.875	4.75	4.00	2.12	.50	.30	.34	.508 x .38 DP	
100,000	—	.875	5.50	4.60	2.25	.25	.30	.41	.626 x .4 DP	
<b>kg/millimeters</b>										
2268.0*-4539.9*	5/8-18 UNF-3B	—	104.6	34.8	34.8	3.05	7.6	7.2	10.3 x 7.2 DP	
11,339.8-22,679.7	—	22.2	120.7	101.6	53.8	12.7	12.7	8.7	12.9 x 9.7 DP	
45,359.4	—	22.2	139.7	116.8	57.2	6.4	7.6	10.3	10.3 x 10.2 DP	

### SPECIFICATIONS:

Full Scale Output:	4.0 mV/V	Hysteresis:	0.02% Full scale
Bridge Resistance:	350 ohms (100,000lb=700 ohms), nominal	Insulation Resistance:	2000 megohms
Material/Finish:	High-alloy steel, nickel plated	Seal Type:	Environmentally protected
Temperature:	Compensated range 14°F to 104°F/-10°C to 40°C	Cable Length:	50'/15.2m
Safe Overload:	150% Full scale	Cable Color Code:	Red ..... + Excitation Black ..... - Excitation Green ... + Signal White ..... - Signal
Rated Excitation:	15V DC (25V maximum)	Warranty:	2 years
Nonlinearity	0.05% Full scale		

### LCD ORDER INFORMATION

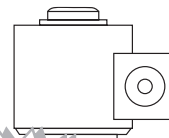
Load Rating	Part #	Suggested List Price
5000 lb* (2268.0 kg)	41966	\$600.00
10,000 lb* (4535.9 kg)	41967	\$600.00
25,000 lb (11,339.8 kg)	41968	\$775.00
50,000 lb (22,679.7 kg)	41969	\$775.00
100,000 lb (45,359.4 kg)	41970	\$920.00
Load Cup*	33616	\$35.00

### INTERCHANGEABLE PRODUCTS

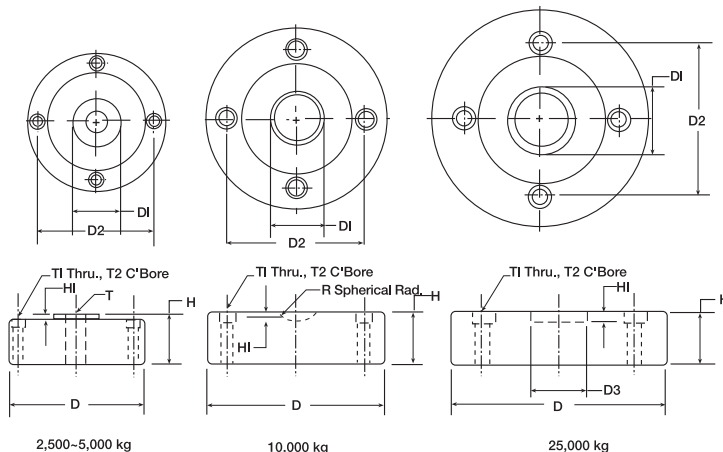
Manufacturer	Model
Celtron	LCD
Interface <sup>®</sup>	1121

\* 5000 lb and 10,000 lb models can be used in compression and tension load applications. Load cup, Part #33616, is required for compression applications.

Interface is a registered trademark of Interface Inc.



# PSD Compression\* Disk, Alloy Steel OIML, C3


**RATED CAPACITY**

kg/millimeters  
2500-5,000  
10,000  
25,000

	T	R	D	D1	D2	D3	H	H1	T1	T2
2500-5,000	M16 x 1.5	—	104.7	32.0	88.9	—	34.8	3.05	7.2	10.5 X 7.2DP
10,000	—	22.2	138.0	38.9	106.4	—	41.1	7.62	8.7	13.5 X 9.7DP
25,000	—	—	165.0	50.4	116.8	42.0	41.1	8.0	10.3	0.63 X 0.40DP

**DIMENSIONS**
**SPECIFICATIONS:**

Full Scale Output:	3.0 mV/V	Hysteresis:	0.02% Full scale
Bridge Resistance:	350 ohms, nominal	Insulation Resistance:	2000 megohms
Material/Finish:	High-alloy steel, nickel plated	Seal Type:	Environmentally protected
Temperature:	Compensated range 14°F to 104°F/-10°C to 40°C	Cable Length:	50'/15.2m
Safe Overload:	150% Full scale	Cable Color Code:	Red ..... + Excitation Black ..... - Excitation Green ... + Signal White ..... - Signal
Rated Excitation:	10V DC (15V maximum)	Warranty:	2 years
Nonlinearity	0.05% Full scale		

**PSD ORDER INFORMATION**

Load Rating	Part #	Suggested List Price
2500 kg* (5512 lb) .....	46670 .....	\$700.00
5000 kg* (11,023 lb) .....	46671 .....	\$700.00
10,000 kg (22,046 lb) .....	46672 .....	\$875.00
25,000 kg (55,116 lb) .....	46673 .....	\$875.00
Load Cup* .....	33616 .....	\$35.00

\* 2500 kg and 5000 kg models can be used in compression and tension load applications.