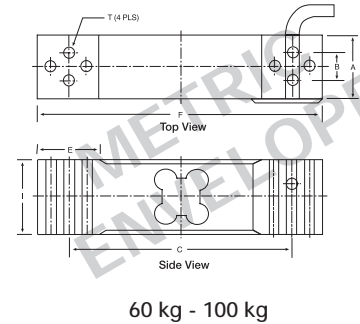
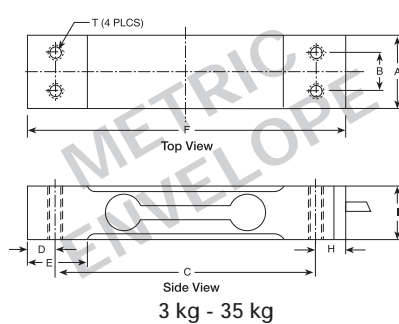


# LPS Single Point, Aluminum

## NTEP 1:5000 Class III Single Cell



### RATED CAPACITY

kg/millimeters  
3  
6-20  
30-35  
60-100

	DIMENSIONS									
	A	B	C	D	E	F	H	I	T	
3	15.0	7.0	106	6.0	12.0	70.0	6.0	22.0	M3 THRU	
6-20	30.0	15.0	106	12.0	25.0	130.0	12.0	22.0	M6 THRU	
30-35	40.0	15.0	106	12.0	25.0	130.0	12.0	22.0	M6 THRU	
60-100	35.0	15.0	117	N/A	33.0	150.0	N/A	40.0	M6 THRU	

### lb/inches

6.6  
13.2-44.1  
66.2-77.2  
132.3-220.5

6.6	0.59	0.28	4.17	0.24	0.47	2.76	0.24	0.87	M3 THRU	
13.2-44.1	1.18	0.59	4.17	0.47	0.98	5.12	0.47	0.87	M6 THRU	
66.2-77.2	1.57	0.59	4.17	0.47	0.98	5.12	0.47	0.87	M6 THRU	
132.3-220.5	1.38	0.59	4.61	N/A	1.30	5.91	N/A	1.57	M6 THRU	

### SPECIFICATIONS:

Full Scale Output: 2.0 mV/V  
 Bridge Resistance: 350 ohms, nominal  
 Material/Finish: Aluminum  
 Temperature: Compensated range  
 14°F to 104°F/-10°C to 40°C  
 Safe Overload: 150% Full scale  
 Rated Excitation: 10V AC/DC (15V maximum)  
 Combined Error: 0.25% Full scale  
 Non-Repeatability: 0.02%

Insulation Resistance: 2000 megohms  
 Seal Type: Environmentally protected  
 Cable Length: 450mm/17.8"  
 Cable Color Code: Red ..... + Excitation  
 Blue ..... - Excitation  
 Green ... + Signal  
 White .... - Signal  
 Warranty: 1 year

### LPS ORDER INFORMATION

Load Rating	Part #	Suggested List Price
<b>NTEP 1:5000</b>		
3 kg (6.6 lb)	41822	\$130.00
6 kg (13.2 lb)	41823	\$130.00
10 kg (22.0 lb)	41824	\$130.00
15 kg (33.1 lb)	41825	\$130.00
20 kg (44.1 lb)	41826	\$130.00
<b>Non-NTEP</b>		
3 kg (6.6 lb)	30143	\$120.00
10 kg (22.0 lb)	30145	\$120.00
15 kg (33.1 lb)	30146	\$120.00
20 kg (44.1 lb)	30147	\$120.00
30 kg (66.2 lb)	46502	\$120.00
35 kg (77.2 lb)	30148	\$120.00
60 kg (132.3 lb)	41149	\$120.00
100 kg (220.5 lb)	41150	\$120.00

### INTERCHANGEABLE PRODUCT INFORMATION

Manufacturer	Model
Rice Lake Weighing Systems	(see page 144) RL1521
BLH®	C2G1
Fairbanks®	4900 Series Checkweighers
NMB®	C2G1
Tedea-Huntleigh	(see page 312) 1022

BLH is a registered trademark of BLH Electronics  
 Fairbanks is a registered trademark of Fairbanks Scales  
 NMB is a registered trademark of NMB Technologies Inc.