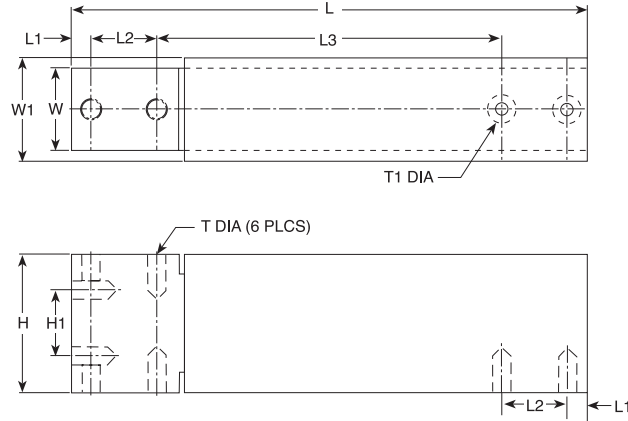


LOC Single Point, Aluminum

NTEP 1:5000 Class III Single Cell



RATED CAPACITY	DIMENSIONS									
	H	H1	L	L1	L2	L3	T	T1	W	W1
kg/millimeters 5-100	40.0	19.0	150.0	6.0	19.0	100.0	1/4-20 UNC	1/4-28 UNF	30.0	25.0
lb/inches 11.0-220.5	1.57	.75	5.91	.24	.75	3.94	1/4-20 UNC	1/4-28 UNF	1.18	1.00

SPECIFICATIONS:

Full Scale Output: 2.0 mV/V
Bridge Resistance: 350 ohms, nominal
Material/Finish: Aluminum
Temperature: Compensated range
 14°F to 104°F/-10°C to 40°C
Safe Overload: 150% Full scale
Rated Excitation: 10V AC/DC (15V maximum)
Combined Error: 0.25% Full scale

Non-repeatability: 0.02%
Insulation Resistance: 2000 megohms
Seal Type: Environmentally protected
Cable Length: 1m/3.3'
Cable Color Code: Red + Excitation
 Black - Excitation
 Green + Signal
 White - Signal
Warranty: 1 year

LOC ORDER INFORMATION

Load Rating	Part #	Suggested List Price
NTEP 1:5000		
5 kg (11 lb)	39810	\$175.00
7 kg (15.4 lb)	39809	\$175.00
10 kg (22.0 lb)	39808	\$175.00
15 kg (33.1 lb)	39807	\$175.00
20 kg (44.1 lb)	39806	\$175.00
30 kg (66.1 lb)	39805	\$175.00
50 kg (110.2 lb)	39804	\$175.00
100 kg (220.5 lb)	39803	\$175.00
Non-NTEP		
5 kg (11 lb)	30134	\$150.00
7 kg (15.4 lb)	30135	\$150.00
10 kg (22.0 lb)	30136	\$150.00
15 kg (33.1 lb)	30137	\$150.00
20 kg (44.1 lb)	30138	\$150.00
30 kg (66.1 lb)	30139	\$150.00
50 kg (110.2 lb)	30140	\$150.00
100 kg (220.5 lb)	30141	\$150.00

INTERCHANGEABLE PRODUCTS

Manufacturer	Model
Rice Lake Weighing Systems	(see page 149) RL1040
Rice Lake Weighing Systems	(see page 148) RL1042
Revere Transducers	(see page 260) 642
Tedea-Huntleigh	(see page 316) 1040
Tedea-Huntleigh	(see page 315) 1042
HBM	(see page 224) SP4