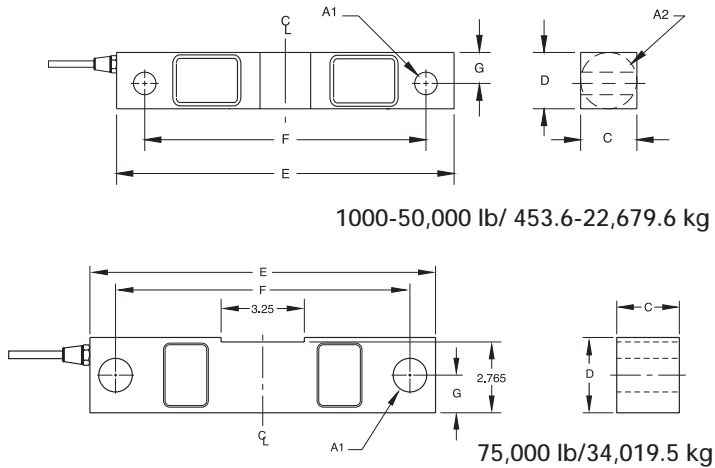


# DSR Double-Ended Shear Beam, Alloy Steel, IP67



RATED CAPACITY	DIMENSIONS						
	A1	A2	C	D	E	F	G
<b>lb/inches</b>							
1000-5000	.50	1.25	1.25	1.25	7.50	6.25	.69
10,000-25,000	.81	1.99	1.44	1.94	8.75	7.50	.96
50,000	1.31	3.00	2.44	2.94	13.50	11.50	1.50
75,000	1.31	-	2.44	2.94	13.50	11.50	1.47
<b>kg/millimeters</b>							
453.6-2268.0	12.7	31.8	31.8	31.8	190.5	158.8	17.5
4535.9-11,339.8	20.6	50.8	36.6	49.3	222.3	190.5	24.4
22,679.7	33.3	76.2	62.0	74.7	342.9	292.1	38.1
34,019.5	33.3	-	62.0	74.7	342.9	292.1	37.3

## SPECIFICATIONS:

Full Scale Output:	3.0 mV/V	Insulation Resistance:	2000 megohms
Bridge Resistance:	700 ohms, nominal	Deflection at Capacity:	1000-3000 lb = .01"/.3mm, 5000 lb = .015"/.4mm, 10,000 - 20,000 lb = .022"/.6mm, 25,000 lb = .036"/.9mm, 50,000 lb = .052"/1.3mm, 75,000 lb = .07"/1.8mm
Material/Finish:	High-alloy steel, nickel plated	Seal Type:	Environmentally protected, IP67
Temperature:	Compensated range 14°F to 104°F/-10°C to 40°C	Cable Length:	25'/7.6m
Safe Overload:	150% Full scale	Cable Color Code:	Red ..... + Excitation Black ..... - Excitation Green ... + Signal White ..... - Signal
Rated Excitation:	10V AC/DC (25V maximum)	Warranty:	1 year
Nonlinearity:	0.03% Full scale		
Hysteresis:	0.02% Full scale		

DSR ORDER INFORMATION		
Load Rating	Part #	Suggested List Price
1000 lb (453.6 kg)	30080	\$495.00
1500 lb (680.4 kg)	30081	\$495.00
2000 lb (907.2 kg)	30088	\$495.00
2500 lb (1134.0 kg)	30089	\$495.00
3000 lb (1360.8 kg)	30091	\$495.00
5000 lb (2268.0 kg)	30094	\$495.00
10,000 lb (4535.9 kg)	30095	\$575.00
15,000 lb (6803.9 kg)	30096	\$575.00
20,000 lb (9071.9 kg)	30097	\$575.00
25,000 lb (11,339.8 kg)	30098	\$575.00
50,000 lb (22,679.6kg)	30099	\$825.00
75,000 lb (34,019.5 kg)	30100	\$825.00

INTERCHANGEABLE PRODUCTS	
Manufacturer	Model
Rice Lake Weighing Systems	(see page 134) RL75016
Sensortronics	(see page 283) 65016
Revere	5203

WEIGH MODULE AVAILABLE	
Model	Page #
RL1600 Series	58-64

NOTE: 75,000 lb capacity has a square center