

## SURVIVOR® CW-80 Checkweigher Indicator Only



Measurement  
Canada  
Approved

PART #	DESCRIPTION
35974	..... CW-80 Indicator, 115 VAC
35975	..... CW-80 Indicator, 115 VAC w/TTL outputs
35976	..... CW-80 Indicator, 115 VAC w/N.O. relays
35977	..... CW-80 Indicator, 115 VAC w/N.C. relays
35978	..... CW-80 Indicator, 115 VAC w/BBU and TTL outputs
35979	..... CW-80 Indicator, 115 VAC w/BBU and N/O relays
35980	..... CW-80 Indicator, 115 VAC w/BBU and N/C relays
35981	..... CW-80 Indicator, 230 VAC
35982	..... CW-80 Indicator, 230 VAC w/TTL outputs
35983	..... CW-80 Indicator, 230 VAC w/N.O. relays
35984	..... CW-80 Indicator, 230 VAC w/N.C. relays
35985	..... CW-80 Indicator, 230 VAC w/BBU and TTL outputs
35986	..... CW-80 Indicator, 230 VAC w/BBU and N/O relays
35987	..... CW-80 Indicator, 230 VAC w/BBU and N/C relays

Offered as a SURVIVOR CW-80 checkweigher indicator only, the SURVIVOR CW-80 indicator offers adaptability to a wider variety of applications than the standard SURVIVOR CW-80 packages.

The SURVIVOR CW-80 features a new generation **Tough-Touch™** keypad, designed to withstand the most demanding industrial applications. International symbols and an extra-bright, rapid-response display make the CW-80 instantly readable in almost any environment. A true NEMA 4X/IP66 indicator enclosure is designed to seal out moisture and contaminants.

115/230 power configurations and optional DC battery "backup power," with one of three available outputs, make operation possible anywhere. Battery backup power eliminates down time due to power failure, and supports limited portability. Optional RS-485 communication enables interfacing to a computer network, while the transaction memory buffer saves the last weighments for network retrieval and analysis. This unit powers four 350-ohm load cells.

### Applications

- Food processing
- Industrial processing
- Kit assembly operations
- General filling operations
- General purpose weighing

### Standard Features

- Large, bold 0.8" (20.3mm) Light Emitting Diode (LED) rapid-response display
- Industrial-quality 304 stainless steel construction
- NEMA 4X/IP66 indicator enclosure
- **Tough-Touch™** industrial touch-control front panel with keys for over, under, tare, zero, units, print, target and ID
- Front-panel "Independent Key Disabling" for: OVER, UNDER, TARE, PRINT and UNITS keys
- Displays units in decimal lb, kg, oz, lb & oz, grams
- Annunciator lights for unit selection
- High-intensity LED for over, under and accept
- Storage for up to 300 tare and tolerance settings
- Automatic zero tracking
- 115 VAC or 230 VAC operation
- Bidirectional RS-232 and/or simplex 20 mA current loop communication
- RATTLETRAP® advanced digital filtering
- Combination desk/wall mount bracket
- Power for up to four 350-ohm load cells

### Options/Accessories

- 32388 ..... 6 VDC replacement battery
- 32147 ..... Remote battery charger assembly, 6 VDC, 0.6A with 24" cable

- 32291 ..... Additional operating manual

#### Software:

- 32162 ..... RS-485 communication

#### Hardware:

- 30205 ..... 12" column replacing standard column
- 30206 ..... 18" column replacing standard column
- 30207 ..... 24" column replacing standard column
- 30208 ..... 30" column replacing standard column

**DISPLAY:**

Large 0.8" 7-segment, 6-digit high-intensity red Light Emitting Diode (LED) display. Decimal point available at each digit

**STATUS ANNUNCIATORS:**

lb, kg, g, oz, net, motion, center of zero, neg

**KEYBOARD:**

8-key touch control with international symbols

**BAR GRAPH:**

5-segment, 7-range programmable multicolored array tracks  
Over, Under, Accept status in relation to target value

**INTERNAL RESOLUTION:**

50,000 to 1,000,000 based on filtering selection

**DISPLAY RESOLUTION:**

Selectable up to 50,000 dd

**MEASUREMENT RATE:**

25 updates/second

**SYSTEM LINEARITY:**

0.01% of F.S.

**ZERO STABILITY:**

100 nV/°C maximum

**SPAN STABILITY:**

3 ppm/°C maximum

**AZM (ZERO TRACK):**

Off, ±.5, 1, 2 or 3 dd

**OPERATIONAL AZM:**

±2% or 100% F.S.

**MOTION BAND:**

Off, .5, 1, 2, 3, 5, 10 dd

**CALIBRATION METHOD:**

Software

**DIGITAL FILTER:**

Software selectable 1, 2, 4, 8, 16, 32, 64, 128

**SENSE AMPLIFIER:**

Differential amplifier with 6-wire sensing

**RFI PROTECTION:**

Signal, excitation and sense lines protection.  
3V/m for 100 kHz to 1 GHz, ≤1 μV susceptibility

**DIGITAL OUTPUTS:**

(Optional) 3 TTL outputs (5 VDC) or 3 N/O relays (10 watts, 0.5 amp, 100 VDC) or 3 N/C relays (10 watts, 0.5 amp, 100 VDC)

**EDP PORT:**

Full duplex, RS-232 or 20 mA simplex output (RS-485 optional)

**LINE VOLTAGES:**

Available in 109-127 or 208-240 VAC models (DC battery backup optional; 24 hrs at 60% duty cycle).  
Powers 4 x 350Ω load cells

**FREQUENCY:**

50 or 60 Hz

**OPERATING TEMPERATURE:**

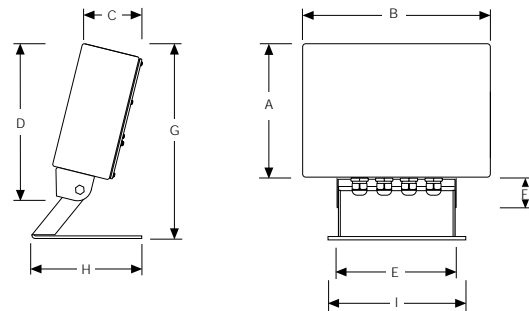
14°F to 104°F (-10°C to 40°C)

**APPROVALS:**

NTEP certified per Handbook 44, Class III/IIIL, 10,000d, CC #96-118; Measurement Canada approved, AM-5146. OIML Test certificate #D09-97.16 in accordance with EN 45501 (1992), Nr. 8.1, WELMEC-Documents 2.1 (1995) OIML R 76-1 (1992), CUL and UL listed; CE marked

**WARRANTY:**

Two year limited warranty



**DIMENSIONS**

A = 6.75" (171.5mm)	F = 1.50" (38.1mm)
B = 9.50" (241.3mm)	G = 10.25" (260.4mm)
C = 3.25" (82.6mm)	H = 6.50" (165.1mm)
D = 8.50" (215.9mm)	I = 4.55" (115.6mm)
E = 6.00" (152.4mm)	