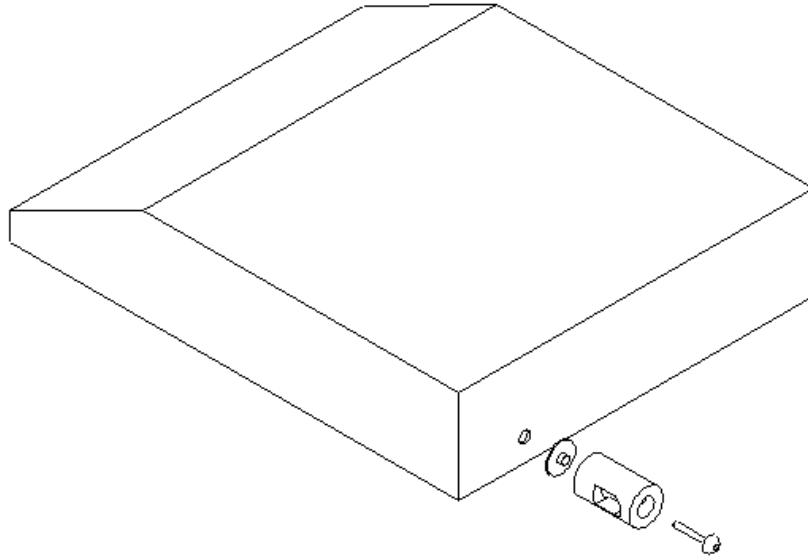


Installation Instructions for PC-200 Lock Kit.



- 1) Install locking cylinder and swivel washer as shown above using the phillips head 8-32 screw provided.
- 2) Pass cable through locking cylinder and attach small end to table leg or other immovable object with the lock as shown below.

